



**EQUESTRIAN
CANADA
ÉQUESTRE**

**SECTION D
EVENTING**

Rules of Equestrian Canada
2025

CLEAN COPY EDITION

This document contains the final text effective January 1, 2025.

Amended February 10, 2025

EQUESTRIAN CANADA RULEBOOK

The rules published herein are effective on January 1, 2025, and remain in effect for one year except as superseded by rule changes or clarifications published in subsequent editions of this section. Section D as printed herein is the official version of *Eventing 2025*.

The Rule Book comprises of the following sections

- A General Regulations
- B Breeds
- C Driving and Para-Driving
- D Eventing
- E Dressage and Para-Dressage
- F General Performance, Western, Equitation
- G Hunter, Jumper, Equitation and Hack
- J Endurance
- K Reining and Para-Reining
- L Vaulting

Section D: EVENTING

is part of the Rule Book of Equestrian Canada
and is published by:

EQUESTRIAN CANADA

c/o House of Sport

2451 Riverside Drive

Ottawa, Ontario K1H 7X7

Tel: (613) 287-1515; Fax: (613) 248-3484

1-866-282-8395

Email: rules@equestrian.ca

Web site: www.equestrian.ca

**EQUESTRIAN CANADA RULE BOOK
SECTION D: RULES FOR EVENTING**

These Rules are to be used in conjunction with the General Regulations of Equestrian Canada.

TABLE OF CONTENTS

THE EQUESTRIAN CANADA RULEBOOKiv

CHAPTER 1 GENERAL RULES FOR EVENTING COMPETITIONS1

ARTICLE D101 INTRODUCTION 1

ARTICLE D102 MEMBERSHIP and PASSPORTS 1

ARTICLE D103 COMPETITIONS2

ARTICLE D104 PARTICIPATION4

ARTICLE D105 ENTRIES..... 5

ARTICLE D106 STARTING ORDER AND TIMETABLE6

ARTICLE D107 EXERCISING AND WARMING UP6

ARTICLE D108 ACCESS TO COURSES AND ARENAS.....8

ARTICLE D109 INTERRUPTIONS AND MODIFICATIONS 8

ARTICLE D110 HORSE WELFARE.....9

ARTICLE D111 COMPETITOR WELFARE9

ARTICLE D112 ABUSE OF HORSE 11

ARTICLE D113 DANGEROUS RIDING 13

ARTICLE D114 DRESS14

ARTICLE D115 SADDLERY17

ARTICLE D116 RESERVED FOR FUTURE USE19

ARTICLE D117 INQUIRIES, PROTESTS AND APPEALS20

ARTICLE D118 ORGANIZERS RIGHTS.....20

ARTICLE D119 RADIOS/RECEIVING APPARATUS AND CELL
PHONES21

CHAPTER 2 EVENTING TESTS22

ARTICLE D201 INTRODUCTION 22

ARTICLE D202 RULES FOR TESTS 22

ARTICLE D203 TEST DESCRIPTION / GUIDELINES..... 23

CHAPTER 3 HORSE TRIALS25

ARTICLE D301 INTRODUCTION 25

ARTICLE D302 CLASSIFICATION26

ARTICLE D303 DRESSAGE TEST28

ARTICLE D304 RULES GOVERNING THE DRESSAGE TEST.....28

ARTICLE D305 DRESSAGE ARENA30

ARTICLE D306 DRESSAGE SCORING30

ARTICLE D307 CROSS COUNTRY TEST 31

ARTICLE D308 RULES GOVERNING THE CROSS COUNTRY TEST31

ARTICLE D309 CROSS COUNTRY COURSES..... 35

| | |
|---|------------|
| ARTICLE D310 CROSS COUNTRY OBSTACLES | 37 |
| ARTICLE D311 CROSS COUNTRY SCORING..... | 39 |
| ARTICLE D312 CROSS COUNTRY DEFINITIONS OF FAULTS..... | 41 |
| ARTICLE D313 JUMPING TEST | 43 |
| ARTICLE D314 RULES GOVERNING THE JUMPING TEST..... | 43 |
| ARTICLE D315 JUMPING COURSE | 44 |
| ARTICLE D316 JUMPING OBSTACLES..... | 45 |
| ARTICLE D317 JUMPING SCORING | 47 |
| ARTICLE D318 TIME | 48 |
| ARTICLE D319 TIME CORRECTIONS..... | 49 |
| ARTICLE D320 DEFINITION OF FAULTS | 49 |
| CHAPTER 4 THREE DAY EVENTS..... | 52 |
| ARTICLE D401 INTRODUCTION..... | 52 |
| ARTICLE D402 LEVELS OF THREE-DAY EVENTS | 52 |
| ARTICLE D403 THREE-DAY EVENT RULES..... | 52 |
| CHAPTER 5 OFFICIALS..... | 54 |
| ARTICLE D501 GROUND JURY | 54 |
| ARTICLE D502 JUDGING OF THE DRESSAGE AND JUMPING TESTS | 57 |
| ARTICLE D503 ADDITIONAL JUDGES | 57 |
| ARTICLE D504 TECHNICAL DELEGATE..... | 57 |
| ARTICLE D505 APPRENTICE/ASSISTANT TECHNICAL DELEGATE | 59 |
| ARTICLE D506 COURSE DESIGNER..... | 59 |
| ARTICLE D507 VETERINARIAN | 60 |
| ARTICLE D508 ADDITIONAL OFFICIALS | 60 |
| ANNEXES | 62 |
| ANNEX 1: SPECIFICATIONS FOR LEVELS OF HORSE TRIALS.... | 62 |
| ANNEX 2.1: EVENTING – DRESSAGE ARENAS | 69 |
| ANNEX 2. A: PERMITTED BITS FOR THE DRESSAGE TEST..... | 70 |
| ANNEX 3: DRESSAGE SCORING – CALCULATION TO PENALTY POINTS | 76 |
| ANNEX 4: CROSS COUNTRY – MEASUREMENT OF DROP FENCES | 77 |
| ANNEX 5: DIAGRAM OF CROSS COUNTRY OBSTACLES AND FAULTS..... | 78 |
| ANNEX 6: TABLE OF SPEEDS, TIMES, DISTANCES AND JUMPING EFFORTS CROSS COUNTRY TEST..... | 83 |
| ANNEX 7: CROSS COUNTRY & JUMPING TEST SPECIFICATIONS | 85 |
| ANNEX 8: WARNING RED CARD/EVENTING RECORDED WARNING SYSTEM | 87 |
| ANNEX 9: INFORMATION FOR EVENTING OFFICIALS | 89 |
| GLOSSARY..... | 90 |
| METRIC CONVERSION | 107 |
| INDEX..... | 108 |

EQUESTRIAN CANADA

Equestrian Canada is the national governing body for equestrian sport in Canada, with a mandate to represent, promote and advance the sport in Canada, and to represent, promote advocate for and advance all related equine and equestrian interests, including recreation, industry and equine health and welfare.

PATRON

Her Excellency the Right Honourable Mary Jeannie May Simon CC., CMM.,
COM., OQ., CD., FRCGS., Governor General of Canada

THE EQUESTRIAN CANADA RULEBOOK

Knowledge of the rules of any sport is required of each participant, and the Competitor at an EC-sanctioned competition must accept this responsibility. Both a complete knowledge of and compliance with the rules are essential, and all participants must be fully cognizant of all rules as well as particular class specifications in the discipline/breed sport in which they compete.

It is not possible to provide for every conceivable eventuality in these rules. If there is no rule to deal specifically with a particular circumstance, or if the nearest interpretation of the pertinent rule would result in an obvious injustice, it is the duty of those responsible to make a decision based on common sense and fair play, thus reflecting as closely as possible the intention of the rules and regulations of Equestrian Canada.

Organization of the Rulebook

The EC Rulebook is divided into multiple sections, grouped by disciplines and breed sports. Section A covers general regulations that apply to all EC members, Competitors, officials, owners, equines, organizers and persons responsible unless superseded in other sections of the Rulebook.

Evergreen Rules Process

The Equestrian Canada rulebooks are updated annually, effective January 1st. The official rulebook will be as published on the EC website and may be amended as follows.

Amendment of the Rules

It is the right of every sport licence holder of Equestrian Canada to propose amendments to the rules, subject to the current policies, procedures and schedules. The deadline for Rule Change Suggestions (RCS) shall be May 31 each year in accordance with the procedures outlined on the EC Rule Change page. Suggestions will be reviewed by the appropriate discipline/breed sport EC committees who will consider all suggestions and put forward those they recommend as Rule Change Proposals (RCPs). RCPs will be posted on the EC website to allow for a 30-day review period. The EC committees will consider all comments and make any necessary revisions. Rule changes will be posted on the EC website in December to be effective January 1 the following year.

The amendment process will be strictly followed. Extraordinary rule amendments will be permitted only for FEI rule changes, safety, monetary, clarification, ethical and equine welfare reasons at the discretion of the National Rules Committee using the following protocol. Extraordinary rule amendments will be effective when published by EC on its official website. FEI Rules, applicable to EC-sanctioned competitions, are effective upon publication by the FEI.

Amendment Process

1. **Proposal** – An Extraordinary Rule Amendment (ERA) is composed by the EC discipline/breed committee, EC staff or National Rules Committee (NRC) with supporting rationale.
2. **Authorization** – The applicable discipline or breed committee must authorize each ERA, note it in their minutes and forward it to the NRC.
3. **Approval** – The NRC is responsible for confirming the ERA criteria (FEI rule change, safety, monetary, clarification, ethical or equine welfare) have been satisfied
4. **Posting** – EC will translate and post the amendment and show changes to both change visible and clean copy online Rulebooks. The amendments display the date of the NRC approval for consistency.
5. **Effective** – An ERA is effective when published on the EC website. The file reference shall retain the original approval date.

Interpretation of the Rules

Please read all cross-references carefully and refer to the EC website for rule changes and/or clarifications. Should the English and French versions differ, the English version shall prevail. In the case of conflict between General Regulations and the regulations of the disciplines/breed sports, the discipline/breed sport rules will prevail.

CHAPTER 1 GENERAL RULES FOR EVENTING COMPETITIONS

ARTICLE D101 INTRODUCTION

1. **General.** Eventing constitutes the most complete combined competition, demanding of the Competitor considerable experience in all branches of equitation and a precise knowledge of his Horse's ability, and of the Horse a degree of general competence, resulting from intelligent and progressive training.
- 1.2 An eventing competition includes tests from the following branches of equitation: dressage, cross country, and jumping.
- 1.3 Equestrian Canada recognizes three types of eventing competitions: Eventing Tests (Individual or Combined), Horse Trials and Three Day Events.
2. **Responsibility.** A Competitor is ultimately responsible for knowing these rules and complying with them. The appointment of a steward or official, whether or not provided for in these rules, does not absolve the Competitor from this responsibility.
3. **Circumstances not covered by these Rules**
 - a) For any circumstance not specifically covered by these rules, reference should be made to one of the following publications of the FEI:
Rules for Eventing
Rules for Dressage
Rules for Jumping
 - b) Every eventuality cannot be provided for in the rules. In any unforeseen circumstance or exceptional circumstance it is the duty of the Ground Jury to make the decision in a sporting spirit and within the intention of these rules
4. **Division categorization.** Effective January 1, 2023 – the EC Eventing competition divisions shall be identified as follows:

| EC Division categorization title 2023 | EC Division categorization title 2022 |
|---------------------------------------|---------------------------------------|
| EV120 | Advanced |
| EV115 | Intermediate |
| EV110 | Preliminary |
| EV105 | EV105 |
| EV100 | Training |
| EV90 | Pre-Training |
| EV85 | Entry |

ARTICLE D102 MEMBERSHIP and PASSPORTS

1. Competitors.

- 1.1 Competitors entered in Tests, Horse Trials and Three Day Events must comply with the membership and sport licence requirements of Equestrian Canada As per Equestrian Canada General Rules, a Competitor must be a member of the applicable Equestrian Canada Participating Provincial Equestrian Association and must hold an Equestrian Canada Sport Licence. Competitors residing in a province of a Non-Participating Provincial Equestrian Association must purchase a Equestrian Canada Service Package from Equestrian Canada

(For definition see EC General Regulations) and must hold an Equestrian Canada Sport Licence.

The type of Equestrian Canada Sport licence required by Competitors is as follows: For EV110 through to EV120 divisions- Gold, for EV100 and EV105 divisions – Silver, for EV90 and EV85 and “Local” divisions – Bronze. For definitions see EC General Regulations

- 1.2 Competitors must hold the applicable Provincial Horse Trials Association membership.
- 1.3 The individual listed as the Event Organizer /person(s) responsible of an Equestrian Canada sanctioned Eventing Competition must hold an Equestrian Canada Sport Licence at the same level in which the event is being sanctioned at and be a member of the applicable Provincial Horse Trials Association.
- 1.4 Foreign Competitors who are not residents of Canada may compete provided they are a member and/or hold a competitive licence of their own country’s National Eventing Association and National Equestrian Federation.
- 1.5 FEI Competitors: Competitors competing in FEI sanctioned competitions (CCIs and CICs) must hold a Platinum Level Sport Licence (Art A 207) and must be registered with the FEI through Equestrian Canada.
- 2. Horses – Horse Recording/Passport requirements.** All Horses entered in EV100, EV105, EV110, EV115 and EV120 divisions of Eventing competitions must have a current and an active Horse Recording, EC National Passport or FEI passport that must be presented to the secretary of the event at the time of arrival at the competition site. (refer to the Rules of Equestrian Canada, Section A, Chapter 4, Passports)
- 2.1 **FEI registration:** Canadian owned Horses competing in FEI sanctioned competitions (CICs and CCIs) must be registered with the FEI through Equestrian Canada

ARTICLE D103 COMPETITIONS

1 Administration Of Competitions. Organizers of Equestrian Canada sanctioned Eventing competitions are responsible for the administration and reporting of their competition as described in the Equestrian Canada Competition Agreement available from Equestrian Canada -. This includes but is not limited to: Application to host competition, selection and approval of officials, submission of results and reports in the approved format, and payment of fees.

All EC sanctioned Eventing Competitions must receive approval from the applicable Provincial Horse Trials Association prior to applying for sanctioning. Application for sanctioning is made to Equestrian Canada using the Equestrian Canada Competition Application Form for Eventing Competitions and must be submitted with the appropriate competition licensing fee and Certificate of Insurance ideally by January 1st and a minimum of 60 days prior to the competition.

Organizers who wish to host FEI sanctioned competitions must submit an application to the Equestrian Canada by July 31st of the year prior.

2 Approval of Officials

- 2.1 At the time of application, organizers will use the EC Competition Application Form for Eventing Competitions to submit for approval a complete list of their competition officials. (see Eventing Rules Chapter 5) Application must be

submitted a minimum of 60 days prior to the competition (see Art D103.1 above)

- 2.2 **Modifications or Substitutions** - following approval of competition officials, organizers must notify Equestrian Canada of any modifications or substitutions of officials using the Equestrian Canada Change Form.

3. Calendar/ Prize List/Schedule

- 3.1 **COMPETITION CALENDAR:** Competition calendar dates must be submitted by the applicable Provincial Eventing Association to Equestrian Canada - Eventing Committee
- 3.2 The Omnibus Schedule page listing constitutes the prize list for the majority of eventing competitions. If a competition event is not listed in this way, its published prize list must include the same information as provided in the Omnibus schedule page and as required in Art D103.4 and must be approved by Equestrian Canada

4. Prize List/Schedule and Program Information

The following must be included in the Prize List/Schedule:

- 4.1 A list of named officials, including the Organizer, Secretary, Technical Delegate, Course Designer and invited Ground Jury and Judges.
- 4.2 A list of divisions to be held and prizes offered.
- 4.3 A timetable including times for official showings of the courses or time(s) when the courses are declared open for inspection.
- 4.4 Information on stabling, accommodation and food services.
- 4.5 A statement that a veterinarian will either be in attendance throughout the cross country test or will be on call.
- 4.6 That the only accepted entry form will be the current Eventing National Entry Form and the qualifications of Horse and Competitor must be listed and the release of liability must be signed.
- 4.7 The competition requirements:
- The Dressage Tests to be used.
 - The length of the Cross Country Tests (to within 500 meters).
 - The standard speeds specified in the Rule Book for each level of Competition that will be used to calculate the optimum times.
- 4.8 Opening and Closing Dates for entries must be noted.
- 4.9 The Organizer's withdrawal and substitution policies and administration fee
- 4.10 The published program for the competition must include the information: as described above, as well as the Equestrian Canada Page which is the authority to Competitors that the event is sanctioned and held under Equestrian Canada Rules. The published program must also include the Equestrian Canada Statement of Principle
- ### **5. Guide for Hosting Championships**
- 5.1 Without the approval of EC, the term "championship" may not be used in the context of a competition or division.
- 5.2 All EC Championships must be sanctioned.
- 5.3 Only one Championship per division /per province, and one Championship per Region, may be held in one year.
- 5.4 Combined divisions per Art D301.3 are not permitted at a Championship (ie EV100/ EV110 division)

- 5.5 EC Provincial Championship is an individual horse trial competition which competitors from the hosting province participate. A team competition may be held at the discretion of the organiser.
- 5.5.1 Provincial Championships may be EC sanctioned at the level appropriate to the division(s) being held per Art D301.2.
- 5.5.2 Provincial Championships may be held as a standalone competition or in conjunction with an EC sanctioned eventing competition
- 5.5.3 Organizers wishing to host a provincial championship should contact their Provincial Horse Trials Association.
- 5.6 EC National Championships - Regional is a team and individual horse trial competition in which Competitors from a minimum of three provinces participate.
- 5.6.1 National Championships - Regional - It is recommended that the National Championship –Regional is held as a standalone competition
- 5.6.2 Invitation to submit a bid to host a National Championships - Regional shall be posted by Equestrian Canada

ARTICLE D104 PARTICIPATION

1. **Competitors.** Eventing competitions are open to professional and amateur Competitors. The age of the Competitor must comply with the specifications of the competition. For Eventing competitions the age of the Competitor is determined by the year of birth.
2. **Junior Riders.** A person may compete as a Junior until the end of the calendar year in which he reaches the age of 18. Juniors are not permitted to ride stallions as regular or hors concours entries.
3. **Young Riders.** A person may compete as a National Young Rider until the end of the calendar year in which he reaches the age of 21 (FEI Young Rider is 16-21).
4. **Under 25 Riders.** A person may compete in the Under 25 division until the end of the calendar year in which he reaches the age of 25 as long as all qualifications are met (see D105.1 and D105.3)
5. **Senior Riders.** A rider may compete as a Senior from the beginning of the calendar year in which he reaches the age of 19 – See FEI rules for Junior riders in relation to championship eligibility. A rider may compete a stallion from the beginning of the calendar year in which he/she reaches the age of 19.
6. **Horses.**
 - 6.1 Minimum Age requirement -Horse Trials. A Horse may compete in an EV85, EV90, EV100 or EV105 level Horse Trial from the beginning of the calendar year in which he reaches the age of four. A Horse may compete in a EV110 or EV115 level Horse Trial from the beginning of the calendar year in which he reaches the age of five. A Horse may compete in an EV120 level Horse Trial from the beginning of the calendar year in which he reaches the age of six.
 - 6.2 Minimum age requirement -Three-Day Events: Refer to FEI regulations.
 - 6.3 For Horse Trials and Events, Horses may be entered in one division only.
 7. **Number of Horses per Competitor.** Normally, a rider may ride a maximum of three Horses in an event, but no more than two Horses in any division. He may ride one Horse in a team in each division, and where he is riding two Horses in the same division, must ride his team Horse first.

With advance permission from the event organizer, more than three Horses may be ridden by one rider at an event.

8. **Division of Entries.** The goal of splitting divisions is to ensure Competitors are competing against other Competitors who have the same or similar skill level and experience.
- 8.1 If the number of entries warrant, an Organizing Committee may divide a level of competition into separate divisions based, for example, on the age of the rider, experience of the Horse or experience of the rider. The method of splitting the entries is at the discretion of the organizer but it is strongly recommended that divisions be split into a regular division and an Open division as described in Paragraph 4. Further division may be done by age of Competitor (i.e. Junior/Senior) or by a draw.
- 8.2 If the number of entries in one level of a Horse Trial exceeds 50, it must be divided.
- 8.3 Championships and Selection Trials shall not be divided.
- 8.4 **OPEN DIVISION.** If, at the discretion of the Organizing Committee, a division is not split that division must be deemed an Open division.
An Organizing Committee may hold a regular division and an open division at the same competition such as EV90, Open EV90, EV100, Open EV100, EV105, Open EV105, EV110, Open EV110, EV115, Open EV115, and an EV120 Division. An Open division may not use the specifications of a higher division. For example; an Open EV100 division may not use the specifications of the EV110 level.

ARTICLE D105 ENTRIES

1. **Making an Entry.** It is the responsibility of the Competitor to enter a Horse at the level of competition that corresponds to its capabilities. If the Competitor is under the age of majority, a specified adult must accept this responsibility. Entries must be made on the official Canadian Eventing National Entry Form which is published annually. The qualifications of Horse and rider must be listed and the release of liability must be signed. All entry and stabling fees must accompany the completed entry forms and be mailed directly to the appropriate Event Secretary. Refer to Rules of Equestrian Canada, Section A, Chapter 8, Entries.
2. **Health Requirements.** It is the responsibility of the Competitor to know and comply with the local, provincial and inter-provincial requirements for the shipment of Horses.
3. **Responsibility: eligibility/qualification.** It is the responsibility of the Competitor /owner to compete a Horse in the appropriate division for which the Horse and Competitor are qualified/eligible for and to provide the complete qualifying result information on the entry form. Should a Horse be entered in a division it is not eligible, the Horse, shall be eliminated from the competition. The eligibility requirements for competing in regular and open divisions are defined in the Horse Trials Participation Eligibility Matrix found in the Eventing Horse Trials Participation Policy.
4. **Hors Concours Entries** (Refer to Rules of Equestrian Canada, Section A, Chapter 8, Entries). Competitors may enter Horses 'hors concours' with the permission of the Organizer providing they are eligible under the rules. They will pay the regular entry fee, will be judged in the normal manner, will be

participating in accordance with these rules, but they will not be counted in the final classification.

- 5. Withdrawals:** The withdrawal refund policy must be stated on the Schedule/Prize List. Notification of a withdrawal must be given directly to the Event Secretary. If the entry is withdrawn prior to the closing date, the entry and stabling fees may be refunded less an administration fee under the conditions and at the discretion of the organizer. If the entry is withdrawn after the closing date the entry and stabling fees may be refunded by the Organizer at their option.
- 6. Substitutions:** The substitution refund policy should be stated on the Schedule/Prize List. Substitution of an eligible Horse and /or Competitor is at the discretion of the Organizer. If accepted, a new completed entry form must be received by the Event Secretary prior to the first test by this entry.

ARTICLE D106 STARTING ORDER AND TIMETABLE

- 1. Starting Order.** A drawn starting order will be used for the Dressage and Cross Country Tests. In the case of a Competitor riding more than one Horse, his starting times may be seeded so that the start of his second (or third) Horse does not delay the competition. The order of starting for the Jumping Test may follow, at the discretion of the Organizing Committee, the reverse order of classification obtained after the Cross Country Test, so that the Competitor with the highest penalties will start first and the last rider to start will be the one who has obtained the lowest number of penalties. Hors Concours Horses should start at the end of each division especially if the rider has other mounts.
- 2. Timetable.** A timetable, showing each Competitor's starting time for the Dressage Test and for the Cross Country Test will be prepared in advance based upon the length of the dressage tests and the optimum times for each phase of the Cross Country Test. A copy of this timetable must be given to each Competitor. The interval between the starting times of Competitors in the Cross Country Test is at the discretion of the Organizing Committee but it is recommended that it should be not less than three minutes. The Organizer must provide a draft timetable to the Technical Delegate for review /ratification before it is finalized and provided to Competitors and officials or published. Recognizing the time required in order to prepare the final timetable it is recommended that the closing date for entries be not less than 10 days prior to the first day of competition.
- 3. Minimum Interval between tests.** There should be an interval of no less than 30 minutes between tests. If the cross country test takes place before the jumping test the minimum interval between tests is 60 minutes.

ARTICLE D107 EXERCISING AND WARMING UP

- 1. Identification Number.**

It is compulsory for the Horse's competition number to be worn by the Horse or the rider in the exercise and schooling areas from the time that the numbers are issued until the end of the competition, so that the Horse can be identified by officials. Failure to display this number incurs first a warning and, in the case of second or subsequent offenses, possible elimination at the discretion of the Ground Jury.

2. Restrictions on Schooling Horses.

- 2.1 It is forbidden, under penalty of elimination, for anyone other than the Competitor to school the Horse on the competition grounds. The period of restriction shall begin at 4:00 pm the day prior to the start of the Horse's competition, unless otherwise defined by the competition organizer. Any alternate periods of restriction shall be listed in the schedule page/prize list.
- 2.2 A groom, while mounted, is permitted to walk the Horse on a long rein or trot it from one place to another. A groom may also work the Horse in hand or on the lunge.
- 2.3 Under penalty of elimination, once the course is flagged, (or from any time decided upon by the Organizing Committee) it is forbidden for Competitors to ride close to or to jump any cross country obstacles.
- 2.4 Under penalty of elimination, prior to the actual competition it is forbidden to ride in or around the dressage or jumping arenas unless specifically authorized by the Ground Jury. The exception to this rule is participation in an approved schooling activity hosted by the competition organizer.

3. Exercise Areas.

The Organizing Committee must designate and make available appropriate areas for the exercise of competing Horses. These areas must be open throughout the hours of daylight.

4. Practice Dressage Areas.

An exercising area must be provided at a convenient distance from the competition arena, so as not to disturb the Competitors. A practice dressage arena should, if possible, be placed at the disposal of the Competitors.

5. Practice Obstacles. The only practice obstacles that Competitors may jump are those provided by the Organizing Committee.

Cross Country Test: At Horse Trials the Organizing Committee must provide at least two adjustable practice obstacles, one vertical and one spread, in the practice area close to the Start Box of the Cross Country Test and may provide at least one solid practice obstacle, so long as it does not exceed the specified dimensions for the division using the practice area. The specifications for the knockdown obstacles are set out below.

Jumping test: The Organizing Committee must provide at least two adjustable practice obstacles, one vertical and one spread, in the exercise area near the Jumping arena. These obstacles may not be raised more than 10 cm above the height allowed in the Jumping Test. The spread may never exceed the maximum permitted.

Practice obstacles must be constructed in the usual manner and must be marked with red and white flags.

No part of the obstacle may ever be held by anyone.

The practice obstacles shall only be jumped at times laid down by the Organizing Committee.

Violation of any of the above provisions relating to practice obstacles is forbidden under penalty of elimination at the discretion of the Ground Jury.

6. Stewarding. One or more stewards as defined in Article D508 must be appointed to ensure that the rules regarding exercising and warm-up are obeyed. See Article D508 and Article D114.6 for accreditation requirements and definition of duties.

7. Lunging – Only an unmounted Horse may be lunged

ARTICLE D108 ACCESS TO COURSES AND ARENAS

- 1. Dressage Arenas** –Unless permission has been given by the Ground Jury, it is forbidden under penalty of elimination for Competitors to enter the arena mounted or on foot at any time other than when mounted and performing their test during the competition.
- 2. Cross Country course.**
 - 2.1 The Cross Country course may simply be declared open for walking at the discretion of the Organizing Committee and Technical Delegate.
 - 2.2 By the time of the official course walk or when the course is declared open, all obstacles, flags and markers which have to be observed by Competitors and crowd control fences shall be exactly in position. Thereafter, any alteration to obstacles, movement of flags, or modification of natural obstacles, cutting or dismantling a part of an enclosure so as to clear a way, or to cut down trees by the Competitor or his agent shall incur elimination.
 - 2.3 After the official showing, Competitors must be permitted to revisit the course and examine the obstacles at times laid down by the Organizing Committee.
 - 2.4 At the discretion of the Organizing Committee, Competitors may be permitted to inspect the course before the official showing within time limits to be specified by the Organizing Committee providing all obstacles, flags, numbers and markers are in place.
 - 2.5 Where obstacles are being used for more than one level of competition with changes in placing of flags or changes in dimensions, the official showing the course to Competitors may detail the changes verbally but a written description of the changes must be handed to all Competitors together with the plan of the course.
 - 2.6 After the course has been officially shown and modifications are required, they shall be made according to Article D109.2.
 - 2.7 It is forbidden, under penalty of elimination at discretion of the Ground Jury to inspect obstacles or the course before it is officially open to the Competitors
- 3. Jumping course.**
 - 2.1 The course for the Jumping Test will be open to Competitors for walking not less than 15 minutes before the start of the Jumping Test.
 - 2.2 It is forbidden, under penalty of elimination at discretion of the Ground Jury, to inspect obstacles or the Jumping course when the arena is closed. See also Art D314.4

ARTICLE D109 INTERRUPTIONS AND MODIFICATIONS

- 1. Interruptions.** The timetable may be interrupted due to unsafe conditions. If necessary, the start of the Test or Phase may be postponed or canceled. The decision to interrupt or cancel a Test will be made by the President of the Ground Jury and the Technical Delegate. In the case of an interruption, the timetable will be resumed as soon as possible at the point of the interruption. Every affected Competitor must receive sufficient warning before the resumption of the competition.
- 2. Modifications.**
 - 2.1 After the course has been officially shown to the Competitors, no alteration shall be made except when exceptional circumstances (such as heavy rain or hot weather) make such alteration advisable. In this case, the Ground Jury, in

consultation with the Technical Delegate, is authorized to reduce the severity of or to by-pass any obstacles, to reduce the distance or the speeds demanded, postpone the start of any Phase of the Test or cancel the Test. In such a case, every Competitor must be officially and personally informed of the alteration before the start of the phase concerned. Where appropriate, an official must also be stationed at the place where an alteration has been made in order to inform the Competitors.

- 2.2 If an obstacle has been removed from the cross country course by the Ground Jury after the competition has commenced (due to adverse weather or an inordinate number of penalties occurring there) any jump penalties received at that obstacle will be removed from the affected Competitors' scores. All or a portion of the time penalties may be removed at the discretion of the Ground Jury. A Competitor who has been eliminated at that obstacle will not be allowed to re-start.

ARTICLE D110 HORSE WELFARE

1. Horse Trials:

- 1.1 At any time during the Competition, any individual member of the Ground Jury has the right and the duty to eliminate any Horse that in his/her opinion is lame or unfit to continue.
 - 1.2 It is strongly recommended that a Veterinary Official be available on the grounds during the Cross Country and Jumping tests.
 - 1.3 The Veterinary Official shall be responsible for the emergency treatment of Horses. When veterinary assistance is necessary care should be administered in a location that is in the best interest of the Horse.
 - 1.4 The Veterinary Official shall be located at the end of Cross Country and available to inspect Horses. This includes those Horses that were retired, withdrawn or eliminated from the cross country.
 - 1.5 The Veterinary Official may be asked to assist in Horse welfare matters described in Art D112
 - 1.6 When a Veterinary Official is not available on site, it is mandatory for the competition organizer to ensure that a veterinarian is "on call".
 - 1.7 Whether the Veterinary Official will be on site or on call, the organizer must provide to the Veterinary Official the complete details of the event including the timetable and directions in advance of the competition. The Technical Delegate must be made aware of and approve these arrangements.
 - 1.8 It is compulsory for a Competitor to present their Horse for an inspection if requested under penalty of elimination at discretion of Ground Jury.
 - 1.9 At any time during the competition, the Ground Jury in consultation with the Veterinary Official has the right and duty to eliminate any Horse which, in their opinion, is lame or is unfit to continue.
2. **Equine Medication Control** (see Section A, Ch. 10). Equine Medication Control must be conducted in accordance with the Rules of Equestrian Canada, Section A, Chapter 10, Equine Medication Control.

ARTICLE D111 COMPETITOR WELFARE

1. Medical Card.

Medical cards are no longer required during cross country and jumping tests.

In lieu of medical armbands for all Competitors, to ensure that vital information is available to first aid or medical personnel in case of emergency, athletes must comply with the following:

- a) Providing a valid contact information is mandatory for all Athletes. The telephone number of an accompanying person/next-of-kin must be provided to the Event secretariat on the entry form or upon arrival (OC and medical officer to ensure all information has been received before the Cross Country).
- b) Declaration of medical condition
Athletes with medical conditions that may be relevant in the case of a medical emergency are responsible, at every Event when riding, for wearing a medical data carrier* from a system provider able to communicate information. Alternatively (and at the minimum) a medical armband of good quality can be used. Athletes who chose to wear an armband should download and fill the form available for this purpose on the EC website.
* Medical data carrier (also called “medical identification tag” or medical alert bracelet/necklace): small emblem or tag worn on a bracelet, neck chain, or on the clothing, intended to alert paramedics/physicians/first responders that the wearer has an important medical condition.
Conditions that are relevant include recent head injury, serious past injuries/surgery, chronic health problems such as diabetes, long-term medications and allergies. If in doubt, the Athlete should discuss this with their own treating physician.

2. **Examination After a Fall - Medical Fitness.** All Competitors that have had a fall during training, warm up or competition must receive medical clearance by the medical officer before they take part in another test, competition or leave the event site. (Refer also to Art D 302.5) The Competitor is fully responsible for ensuring that this examination takes place and in the case of a Horse fall, that the Horse is examined by the Veterinarian. If there is any doubt with regard to fitness to compete the Ground Jury may eliminate the rider at its discretion. Any Competitor who leaves the event site after a fall without submitting to the examination required under this Article will automatically be issued an Eventing Recorded Warning for incorrect behaviour.
3. **Unconsciousness and/or suspected concussion.** A Competitor who incurred an accident that results in unconsciousness and/or suspected concussion, must be automatically eliminated from the competition and is ineligible to take part in any other test or competition at that event. For further information refer to EC General Regulations Article A101.
4. **Elimination of Competitor before Cross Country.**
As a preventative risk management measure, the Ground Jury, at any time throughout the competition, has the right and duty to eliminate a Competitor to prevent him/her from starting Cross Country test, if there is a serious concern regarding the Competitor’s ability to control the Horse in that test. Any such association must be associated with an Eventing Recorded Warning.
5. **Risk Management and Medical Personnel**
- 5.1 **Incident Coordinator.** It is strongly recommended that each organizer appoint an Incident Coordinator to coordinate emergency responses during a competition. This person is not a medical officer and should not participate

directly in providing emergency care but rather should arrange for and facilitate the response by appropriate personnel and then record and document the incident. The Incident Coordinator is responsible for the preparation and distribution of the Safety Plan.

5.2. Medical Personnel.

5.2.1 It is strongly recommended that an ambulance and personnel trained and equipped for Advance Life Support (ACLS Certified Team) be on site for both the Cross Country and the Jumping test. When it is not possible to have an ACLS equipped ambulance and team present, it is strongly recommended that the organizer appoint a medical officer with current resuscitation skills and an appropriate designated vehicle to be on site for the Cross Country and the Jumping tests. The organizer must make every effort to provide the highest standard of medical assistance available in their area. If none of these services is available then the organizer must, at minimum, provide trained first aid response on site during the Cross- Country and Jumping tests through a certified provider. Radio communication is to be made available to immediately alert emergency services.

5.2.2 ACCESS. The designated medical personal should have the capability of rapid deployment to all parts of the arenas and courses in adverse conditions. Should this access not be available, the Ground Jury, on the advice of the Technical Delegate and the Course Designer, must consider alternatives including removal of the inaccessible portion.

ARTICLE D112 ABUSE OF HORSE

1. **Definition: Abuse of Horse** means an action or omission which causes or is likely to cause pain or unnecessary discomfort to a Horse included but not limited to:
 - a) Rapping
 - b) Riding an exhausted Horse
 - c) Continued pressing of a tired Horse
 - d) Riding an obviously lame Horse
 - e) Excessive use of whip, spurs and/or bit
 - f) Horses bleeding indicating excessive use of the whip and/or spurs
 - g) Overriding: abuse of the Horse that does not necessarily induce visible marks
 - h) Serious case of dangerous riding
2. If not directly witnessed by the Ground Jury/Technical Delegate, the incident must be reported as soon as possible to the Ground Jury through the Secretary of the Organizing Committee or Control centre as appropriate supported where possible by a statement from one or more witnesses. The Ground Jury must decide if there is a case to be answered.
3. **Use of the Whip:**

Excessive use and/or misuse of the whip may be considered abuse of the Horse and will be reviewed on a case by case by the Ground Jury according to the following principles:

 1. The whip cannot be used to vent a Competitor's temper. Such use is always excessive.
 2. The whip is not to be used after elimination or after a Horse has jumped the last fence on a course.

3. The whip is never to be used overhand (eg a whip in the right hand being used on the left flank.
4. The whip is not to be used on a Horse's head
5. The whip is not to be used more than two times for any one incident..6. Multiple excessive uses of a whip between fences.
7. If a Horse's skin is broken, or has visible marks, the use of the whip is always considered excessive.

4. **Warnings and Penalties**

Any act or series of actions that, in the opinion of the Technical Delegate or Ground Jury, can be defined as abuse of a Horse shall be penalized with an Eventing Warning Red Card. In addition, depending on the circumstances of the case, one or more of the following penalties may also be imposed:

- a) 25 penalties
- b) Elimination
- c) Fine
- d) Disqualification

All cases of riding an exhausted horse will incur a Warning Red Card and Disqualification and the case will be referred to Equestrian Canada for further disciplinary action

There is no appeal against a Ground Jury decision in case of Abuse of Horse.

5. **Warning Red Card:**

Directions for Officials – Cases of abuse of Horses will be reported according to the process described in Equestrian Canada Eventing Recorded Warning/Warning Red Card System for Eventing Competitions outlined in Annex 8. Before issuing the penalty, the Ground Jury or Technical Delegate has the duty to hear the Competitor, if available

There is no appeal against a Ground Jury decision in case of Abuse of Horse.

6. **Blood on Horses**

Blood on Horses must be reviewed case by case by the Ground Jury. Not all cases of blood will lead to elimination and an Eventing Recorded Warning or Warning Red Card

Dressage Test: If the Ground Jury/Judge suspects bleeding on the Horse during the test, they will stop the Horse to check. If the Horse shows fresh blood, it will be eliminated. The elimination is final. If the Judge through examination clarifies that the Horse has no fresh blood, the Horse may resume and finish its test.

Cross Country: For the cross country test, all Competitor induced (spurs, bit and whip) blood on the Horse must be reviewed case by case by the Ground Jury. If the Horse shows fresh blood, Officials may authorize the rinsing or wiping of the mouth and if there is no further evidence of bleeding, the Competitor is allowed to continue. Cases of significant bleeding will result in Elimination

Jumping Test: Horses with blood on the flank(s) and/or bleeding in the mouth will be eliminated. In minor cases of blood, such as where a Horse appears to have bitten its tongue or lip, Officials may authorize the rinsing or wiping of the mouth and allow the Competitor to continue; any further evidence of blood in the mouth will result in elimination.

For all minor cases (*) of blood induced by the Competitor in the mouth or related to spurs an Eventing Recorded Warning will be issued by the Ground Jury after providing the Competitor the opportunity to have a hearing.

(*) The cases indicating Abuse of Horses will be dealt with according to the provision of Art D114.2 (Abuse of Horses-Warnings and Penalties).

ARTICLE D113 DANGEROUS RIDING

1. Definition

Any Competitor who, at any time during the competition deliberately or unintentionally by incompetence, is exposing himself, his Horse, or any third party to higher risk than what is strictly inherent to the nature of the competition will be considered to have acted dangerously and will be penalized according to the severity of the infringement.

Such acts may include without limitation any of the following:

- a) Riding out of control (Horse clearly not responding to the Competitor's restraining or driving aids)
 - b) Riding fences too fast or too slow
 - c) Repeatedly standing off fences too far (pushing the Horse to the foot of the fence, firing the Horse to the fence)
 - d) Repeatedly being ahead of or behind the Horse movement when jumping
 - e) Series of dangerous jumps
 - f) Severe lack of responsiveness from the Horse or the Competitor
 - g) Continuing after elimination for clear refusals, a fall, or any other form of elimination
 - h) Endangering the public in any way (i.e. jumping out of the roped track)
 - i) Jumping obstacles not part of the course
 - j) Willful obstruction of an overtaking Competitor and/or not following the instructions of the Officials causing danger to another Competitor
 - k) Pressing a tired horse
2. If not **directly witnessed by the Ground Jury**, the incident must be reported to the Ground Jury as soon as possible, who will decide if and how to penalize the Competitor.
3. The Ground Jury and the Technical Delegate have the **right and duty to monitor possible cases of dangerous riding** and eventually stop and eliminate a Competitor on the Cross Country course for dangerous riding.
Any individual member of the Ground Jury who observes such actions has the right and the duty to eliminate the Competitor forthwith on his own authority.
4. **Cross Country Monitoring system**
- 4.1 The Ground Jury President or Technical Delegate (TD) can, in addition, designate one or several officials (i.e. TD, Area Stewards, Ground Jury members, or experienced eventing officials or coaches not serving an official function at the event) to help monitor for possible cases of dangerous riding in the Cross Country. The Ground Jury President will decide on their specific role, authority and reporting procedure. A minimum of three officials is recommended, if possible these additional officials should be grouped as pairs.
- 4.2 On the instruction of the Ground Jury /TD, one of the appointed officials shall stop the rider if the infringement is deemed to be serious. To facilitate adequate and constant communications amongst these officials and the Ground Jury/TD a separate radio communication channel is recommended.

4.3 As a minimum, Organizers are strongly recommended to utilize the services of Cross Country Officials and a Controller with a radio communication system as per Art D508.4

4.4 Any Competitor stopped on Cross Country in this manner could be subject to penalties in accordance with Art D 113.5.

5. Warnings and Penalties

All cases of Dangerous Riding will incur an Eventing Recorded Warning
In addition, depending on the circumstances of the case, either of the following measures may be imposed:

- 25 penalties
- Elimination

Note: The 25 penalties are considered as an addition to the scores and can be given at any time during the competition. The penalties must be reported in the results as a Cross Country obstacle penalties, Dressage penalties or Jumping penalties. Any of the above sanctions applied must be reported by the Technical Delegate to Equestrian Canada.

6. Warning Red Card/Eventing Recorded Warning:

Directions for Officials – Cases of dangerous riding will be reported according to the process described in Equestrian Canada Eventing Recorded Warning/Warning Red Card System for Eventing Competitions outlined in Annex 8. Before issuing the penalty, the Ground Jury and/or Technical Delegate has the duty to hear the Competitor, if available.

There is no appeal against a decision in case of dangerous riding.

ARTICLE D114 DRESS

1. Protective headgear.

While riding on the competition grounds, the use of a properly fastened Protective Headgear will be mandatory. Such protective headgear must comply with or exceed any of the European, British, North American (ASTM), Australian/New Zealand tested standards applicable at the time of the competition (NB. Excluding VG1-CE EN 1384:2012) or any of the international testing standards published on the FEI website: <https://inside.fei.org/content/general-regs-statutes>. See also Equestrian Canada General Regulations, Section A Glossary.

1.2 The wearing of properly fastened protective headgear described in Paragraph 1.1 is required for all Competitors and non-Competitors at all times while riding in non-competition areas and warm up areas.

1.3 Failure to wear such Protective Headgear where and when required after being notified to do so by an Official shall be subject to penalties at the discretion of the Ground Jury.

2. Body Protector/Inflatable Vest

2.1 A body protector vest is mandatory for the warm-up and the cross country test. A body protector vest may also be worn for the warm up and during other tests. Body Protector vests must meet or exceed, and be appropriately labelled ASTM approved standard F1937-04 (2017), BETA Level 3 body protector standard or European standard EN 13158-2018.

2.2 An inflatable vest may be worn:

- Only when worn over an approved body protector vest during the warm-up for and for the cross country test

- As a standalone item of dress for the warm-ups for and during the dressage and jumping tests only if it has been approved for use without a body protector vest by the manufacturer. The inflatable vest must always be worn on the outside of other garments.
- 2.3 Violation of this rule shall be penalized at the discretion of the Ground Jury, and may result in elimination.
 - 2.4 Competitors are strongly recommended to check their body protectors on a regular basis and to replace them if damaged.
 - 2.5 It is strongly advised that the body protector should impede neither flexibility nor balance.
 - 2.6 Stable, team or club colors are permitted.

3. **Whips.**

One whip no longer than 120cm including lash may be carried when riding in the dressage warm-up areas. One whip no longer than 120 cm may be carried in the dressage test at all Horse trial and combined test competitions except in Championship divisions, As an exception riders competing sidesaddle may carry a whip in the dressage test at all competitions including championships. A standard lunge whip may be used when lunging a Horse. If a whip is carried in the Cross Country and Jumping it must not be weighted at the end or exceed 75 cm (30") in length overall. Telescoping whips are not permitted in warm up or competition.

4. **Spurs.**

4.1 General- All tests and warm up areas:

Spurs are optional for all three tests. Spurs capable of wounding a Horse are forbidden. Spurs must be of smooth material (metal or plastic). If there is a shank, it must be no more than 4 cm long measuring from the boot to the end of the spur and must only point to the rear. The end of the shank must be blunt to prevent wounding a Horse. If the shank is curved, the spurs must be worn with the shank directed downwards. Rowels not permitted except for dressage test of EV110, EV115 and EV120 divisions (per 4.2). Metal or plastic spurs with round hard plastic or metal knobs "Impulse Spurs", "Soft Touch" spurs and "Dummy Spurs" with no shank are allowed. "Spursuader Spurs" with flat disk and rounded edges are permitted

4.2 Dressage test only

For EV110, EV115 & EV120 divisions, rowels spurs are permitted in the dressage test and warming up for dressage. If rowels are used they must be free to rotate and the rowel must be round and smooth (no tines allowed).

5. **Dress**

5.1 **Dress – Dressage test**

Tests and Horse Trials:

Protective headgear as per Art D 114.1.1 - black or dark colour.

Jacket – conservative colour. Tweed jacket permitted in EV85 through EV110 divisions; Tailcoat permitted in EV115 and EV120 divisions.

Shirt –white or light colour with stock and pin or choker or tie.

Gloves (required) dark colour, tan, beige, or white;

Breeches – white, light or conservative plain, solid coloured.

Boots – long boots in one piece or a full grain smooth leather or leather-like leg piece and matching leather or leather-like boot (a small amount of matching

elastic/ribbing along the zipper is permitted) - black, dark brown, black with brown top colour. Jodhpur boots permitted when worn with jodhpurs.

A body protector permitted per Art D114.2.

Spurs when worn must comply with Art D114.4.

Members of armed service and police forces: service dress with protective headgear as per Art D114.1.1.

EV85 through EV100 division - Competitors may compete without a jacket. In such cases, a long or short sleeve shirt of a conservative colour with collar with or without neckwear.

- 5.1.1 It is not permitted for any Competitor to wear a red jacket (the traditional 'Pinque' jacket) except those Athletes who have represented Canada at a Pan Ams Games, Olympic Games, or at a World Championships/Games as a member of a senior team.

5.2 Dress – Cross Country test:

Light weight clothing is appropriate for this test, a shirt (any colour) with suitable short or long sleeves (not sleeveless or cap sleeve).

Protective headgear as per Art D114.1 mandatory - any colour.

Breeches or jodhpurs and gloves - any colour.

Boots – long boots in one piece or a full grain smooth leather or leather-like leg piece and matching leather or leather-like boot - black, dark brown, black with brown top colour. Jodhpur boots permitted when worn with jodhpurs.

Spurs when worn must comply with Art D114.4.

A body protector mandatory per Art D114.2.

5.3 Dress - Jumping Test:

Hunting dress or uniform. Jacket –conservative colour (EV85 through EV110 division – tweed jacket permitted).

Shirt – stock with pin or choker or tie.

Gloves (if worn) dark colour, tan beige or white.

Jodhpurs, breeches –white, light or conservative colour.

Boots – long boots in one piece or a full grain smooth leather or leather-like leg piece and leather or leather-like boot - black, dark brown, black with brown top colour. Jodhpur boots permitted when worn with jodhpurs.

Spurs when worn must comply with Art D114.4.

Protective Headgear as per Art D114.1 mandatory - solid black or dark colour.

Members of armed service and police forces: service dress with protective headgear as per Art D114.1.1

A body protector permitted per Art D114.2.

EV85 through EV100 division - Competitors may compete without a jacket. In such cases long or short sleeve shirt of a conservative colour with collar with or without.

6. Inspection of Saddlery, Whip, Spurs, Equipment and Dress.

- 6.1 A Steward **shall** be appointed to check items of dress and saddlery and to inspect whips and spurs before the start of the Dressage test. Exception: see Art D114.6.5. The steward responsible for checking the bits must use disposable medical gloves, a new pair for each horse.

A Steward **may** be appointed to check items of dress, whips, and spurs before the start of Cross Country and the Jumping Test.

The Steward has the authority to refuse permission to start for any Competitor whose whip or spurs or safety equipment contravene Articles D114 and D115.

The Steward will immediately report the irregularity to the Ground Jury or the Technical Delegate for confirmation.

- 6.2 Should the Competitor not change or modify any item that does not conform, then elimination is at the discretion of the Ground Jury.
- 6.3 A Competitor who competes in any test with illegal whip(s) or illegal spurs or with any incorrect item of dress, saddlery or equipment is subject to elimination at the discretion of the Ground Jury.6.4 Failure to present for Inspection results in elimination.
- 6.5 In the Dressage Test, the checking of the bridle must be done with then greatest caution. If the Competitor so requests, the bridle and bit may be checked immediately after the test has been completed. However, should the bridle or bit in such a case be found not to be permitted, the Competitor shall be eliminated.
- 6.6 For definition of Steward see Art D508 It is recommended that an Equestrian Canada licensed Steward officiates at all Eventing competitions, particularly those hosting a EV110 division and above.
7. **Extreme Weather.**

When the Heat Index is 30 degrees Celsius or above or at the discretion of the Ground Jury, Competitors will be permitted to compete without jackets in the dressage and or jumping tests. In such cases Competitors must wear either a long sleeve or short sleeve shirt of conservative colour with or without neckwear and neatly tucked into light colour or white riding breeches.; members of the armed services and police forces may ride in their summer uniforms. In inclement weather Competitors may wear a windbreaker or rain coat over their clothing; their numbers must be visible.

ARTICLE D115 SADDLERY

1. **Exercise areas.** The following are compulsory: an English type saddle and any form of permitted bridle, including double bridle, snaffle, gag, or hackamore Unrestricted running martingales with rein stops or Irish Martigales, bit guards, boots, bandages, fly shields, nose covers and saddle covers are permitted. Other martingales, any other kind of gadget (such as bearing, side or balancing reins, etc.) and any form of blinkers, are forbidden, under penalty of elimination at the discretion of the Ground Jury. Single direct side reins are permitted only while lunging as are running reins and chambons. Only one lunge line permitted when lunging a Horse. Any device which could restrict the smooth separation of the competitor's boot from the stirrup in the case of a fall is forbidden. K'Vall stirrups are not permitted. Boots which encompass the entire hoof, including the sole and the frog, not permitted.
2. **Dressage test.**
 - 2.1 The following are compulsory: an English type saddle and a permitted bridle.
 - 2.2 For divisions up to and including the EV110 level a snaffle bridle meeting the specifications in Art D115.2.3 is permitted. For EV120 and EV115 divisions an ordinary snaffle or simple double bridle meeting the specifications in Art D115.2.3 is permitted.
 - 2.3 **Definition of Permitted Bridles**

A snaffle bridle which the bit is made of metal, rubber or plastic material is permitted in divisions defined in Art D115.2.2. The Bridle must be made of leather, with the exception of the reins, which may be synthetic or leather with

rubber covers, and which must be black or brown. Reins with hand loops, or elastic inserts are prohibited. If a snaffle has two joints, all parts must be rounded and smooth. The mouthpieces must be smooth (eg twisted and roller bits are prohibited) with ring, egg-butt, or bar type cheeks. The diameter of the snaffle bit ring must not exceed 8 cm in diameter.

A double bridle (i.e. a bridoon and curb bits - the curb bit with a metal or leather curb 'chain') with cavesson noseband only is permitted in divisions defined in Art D115.2.2. The noseband may never be so tightly fixed as to harm the horse. Lipstrap is optional. The bridoon and curb bits must be made of metal or rigid plastic (flexible rubber bridoons and/or curbs are not allowed). The lever arm of the curb bit is limited to 10cm (length below the mouthpiece). If the curb has a sliding mouthpiece, the lever arm of the curb bit below the mouthpiece must not measure more than 10cm when the mouthpiece is in the uppermost position. Wrapping of bits is prohibited.

2.4 Refer to Annex 2.1A and 2.1B for listing and drawings of permitted bits and nosebands. The bridle must include a permitted noseband. A breastplate without martingale attachment may be used. Padded cavesson nosebands are permitted.

2.5 Martingales, any kind of gadgets (such as bearing, side, running or balancing reins, etc.), any kind of leg boots or bandages, bit guard or bit burr, any form of blinkers, ear plugs, fly shields, nose covers (exception: see D115.2.6) and seat covers are forbidden under penalty of elimination at the discretion of the Ground Jury. Use of a tongue strap and/or tying down the tongue is not permitted.

Ear hoods are permitted for all Tests and may also provide noise reduction. However, ear hoods must allow ears to move freely and must not cover the horse's eyes. The ear hoods should be discreet in colour and design. Ear hoods may not be attached to the noseband. Any piece of tack that impairs the ears to move freely is not permitted.

Note: After completion of the dressage test, the Competitor or their representative is responsible for removing the ear net/fly hood/fly guard/ear covers if requested by the steward to allow a thorough inspection. to ensure that nothing prohibited has been added (e.g. ear plugs)

2.6 Net Relief for "head shakers" may be permitted for use under the following conditions:

- The Horse must be registered with Equestrian Canada and be identified by a current EC Horse Recording, EC National Passport, or FEI Horse Passport.
- The entry and the Horse Recording or FEI Passport must be accompanied by a licensed veterinarian's report/certificate substantiating the condition which is current to the year of competition.
- A copy of the veterinarian's report/certificate must accompany the competition entry, with the original included with the Horse Recording or FEI Passport.
- Eventing competitions may accept a permit issued by Equestrian Canada for use in dressage competition.
- The net relief must be properly adjusted

2.7 Boots which encompass the entire hoof, including the sole and the frog, are not permitted in the dressage test or warm-up area.

- 2.8 In the interest of safety, the stirrup irons and stirrup leathers are required and must hang free from the bar of the saddle and outside the flap. Any device which could restrict the smooth separation of the competitor's boot from the stirrup in the case of a fall is forbidden. K'Vall stirrups are not permitted.
- 3. Cross Country test and Jumping test.**
- 3.1 Compulsory: an English type Saddle and bridle. Hackamores or gags are allowed.
- 3.2 Permitted: Unrestricted running martingales with rein stops or Irish martingales are allowed. It is forbidden to attach the running martingale to the curb rein. Reins must be free of any loops or hand attachments and must be attached to the bit(s) or directly to the bridle. Exception: u-shaped bit converters may be used so that a bit designed for use with two reins may be controlled with a single rein. Running martingales may be used if a bit converter is used. There must be no other restrictions or attachments of any kind.
- 3.3 Forbidden: Any form of blinkers, side reins, running reins or balancing reins, tongue straps and/or tying down the tongue, any other restrictions, and any bit or other type of saddlery likely to wound or harm a horse is forbidden.
For Cross Country - any addition to the cheekpiece is forbidden (sheepskin or additional material)
For Jumping only – leather sheepskin or similar material may be used on cheek pieces of the bridle providing the sheepskin does not exceed three centimetres in diameter measured from the horse's cheek.
- 3.4 In the interest of safety, the stirrup iron and stirrup leathers must hang free from the bar of the saddle and outside the flap. Any device which could restrict the smooth separation of the competitor's boot from the stirrup in the case of a fall is forbidden. K'Vall stirrups are not permitted.
- 3.5 Boots which encompass the entire hoof, including the sole and the frog, are not permitted in cross country or in the jumping test or warm up areas.
- 3.6 For Cross Country, a throat lash is compulsory.

ARTICLE D116 RESERVED FOR FUTURE USE

ARTICLE D117 INQUIRIES, PROTESTS AND APPEALS

1. **Inquiries.** The competitor, a parent or guardian of a competitor under 18 years old, the owner of the horse, or the owner's agent, may inquire about any perceived irregularity or mis-scoring during the course of the competition. Such inquiries should be first addressed to the Technical Delegate or a member of the Organizing Committee or the Ground Jury.
2. **Protests.** The Competitor, a parent or guardian of a competitor under 18 years old, the owner of the horse or the owner's agent authorized in writing, are entitled to lodge a protest. Protests raised during the competition or at any time when the Ground Jury is responsible for the competition must be addressed to the President of the Ground Jury. The Protest must be written and signed and accompanied by a fee to the Organizing Committee which will be refunded if the protest (or subsequent appeal) is upheld. The protest shall be delivered to the Event Secretary.
3. **Time limits for protests.** Protests shall be lodged within the following time Limits.
 - 3.1 Protests against the eligibility of a Horse or a Competitor: not later than one hour before the start of the relevant competition.
 - 3.2 Protests against an obstacle, the length or plan of the course in the Cross-Country test: not later than 1800 hours (6:00 pm) on the day before the relevant test.
 - 3.3 Protests against an obstacle, the length or plan of the course, or condition of the arena in the jumping test: not later than 15 minutes before the start of the test.
 - 3.4 Protests concerning scoring:
 - 3.4.1 **Horse Trial held on one day:** Within one half hour after the Competitor's FINAL score is posted.
 - 3.4.2 **Horse Trial held over multiple days:** Within one half hour after all scores are posted on each competition day.
 - 3.5 Protests concerning irregularities or incidents during the competition: within one hour of the occurrence.
4. **Appeals.**
 - 4.1 An appeal against the ruling of the Ground Jury must be made in writing to the president of a Participating Provincial Equestrian Federation or to Equestrian Canada if the competition is held in a province of a non-participating Provincial Equestrian Federation. The appeal must be received within seventy-two hours of the conclusion of the event.
 - 4.2 There is no appeal against decisions of the Ground Jury in the following cases:
 - 4.2.1 In matters where the Ground Jury is required to exercise judgment during a competition under the Rules.
 - 4.2.2 The elimination of Horses for veterinary reasons.
 - 4.2.3 The imposition of a Warning Red Card.
 - 4.2.4 Immediate disqualification during a competition.
 - 4.2.5 In cases of abuse or dangerous riding

ARTICLE D118 ORGANIZERS RIGHTS

1. The Organizer has the right:
 - 1.1 To cancel any division or event.
 - 1.2 To alter the advertised times.

- 1.3 To split a division if the number of entries warrant. The split may be based on the age of the rider, experience of the Horse or experience of the rider. Organizers are encouraged to split based on the age of the rider (see Article D104.7) (ie Jr/Sr or Jr and YR/Sr). Divisions with fifty or more entries must be split with identical prizes offered in each division. (exception Championships)
- 1.4 To limit the number of Horses entered by an owner and the number of Horses ridden by a rider. Organizers must refer to Article D104.6.
- 1.5 To refuse an entry – In addition to entries of persons suspended or expelled from the federation, a recognized competition may refuse any entry of an exhibitor, rider, owner, agent, trainer or coach who has shown objectionable attitude or behaviour at a Recognized competition which management is able to substantiate. At National Championships, the Organizer may not refuse a qualified entry. **Exception:** See the Rules of Equestrian Canada, Section A, Article A805 Refusal or Limitation of Entries.

ARTICLE D119 RADIOS/RECEIVING APPARATUS AND CELL PHONES

In competition: The use of any radio/receiving apparatus or cellular phone while competing in the test is forbidden under penalty of elimination.

In warm up/exercise areas: The use of a two way communication device is allowed.

Any other use while on the competition grounds by Competitors, coaches, or members of the Competitor 's support group is subject to restriction by the Technical Delegate and the President of the Ground Jury. (Exception use of personal cellular phones)

CHAPTER 2 EVENTING TESTS

ARTICLE D201 INTRODUCTION

1.1 Definition:

Equestrian Canada recognized eventing tests consist of one or more dressage cross country or jumping competitions (maximum two competitions). They are designed to introduce the discipline and prepare Competitors and Horses for Horse Trials. They provide experience for Competitors within an enjoyable day of competition.

These competitions may include

- a. Cross Country Test
- b. Combined Test
- c. Eventing Derby Test
- d. Beginner Eventing Competitor Test
- e. Eventing Equitation Test
- f. Young Event Horse Test

1.2 Organization

Tests may be offered as separate competitions or may be organized in conjunction with a Horse Trial. They usually take place on one day. An Equestrian Canada Eventing Test shall conform to all of the applicable Equestrian Canada Rules for Eventing including entries, dress, saddlery, safety, veterinary, animal abuse, competition standards obstacle dimensions (Annex 7) and permitted speeds (Annex 6).

When offered as a separate competition,

- Application will be made to the Provincial Sport Organization of the applicable province.
- Tests will be sanctioned at the Equestrian Canada Bronze level.

When organized in conjunction with a sanctioned Horse Trial – no additional sanctioning permit fee is required – application is made in conjunction with the Horse Trial application- The test is considered at Bronze level.

1.3 Calendar Scheduling –

Hosting of tests shall be per Art D103 of the Rules for Eventing. When held as a separate competition, the date should be approved of the applicable Provincial Horse Trials Association. When held as a separate competition – every effort must be made to avoid conflict with other sanctioned eventing competitions.

1.4 Prize List /Schedule

The organizer is responsible for preparing a prizelist/ schedule and entry form. The Prize List/ Schedule is not printed in the Omnibus.

1.5 Membership/Sport Licence

Equestrian Canada sport licence required for Equestrian Canada Bronze Competitions.

ARTICLE D202 RULES FOR TESTS

2.1 Participation.

A Horse may be ridden by more than one Competitor. A Competitor may ride more than one Horse. The number of Horses that a Competitor may ride may

be limited by the organizer. The number of times that a Horse may compete may be limited by the organizer – however if the test includes cross country- the Horse may only complete the course twice.

2.2 Licensed Officials

For competitions which include dressage and jumping (such as Combined Tests, Beginner Eventing Competitor tests, Eventing Equitation Tests) it is strongly recommended that a FEI or Equestrian Canada licensed Eventing judge is used – in accordance with EC Rules for Eventing Article D 501. If not licensed this judge must hold a Gold or Platinum Equestrian Canada Sport Licence. Other judges may be EC/FEI licensed judges, or knowledgeable horsepersons.

For tests that include cross country fences an Equestrian Canada or FEI licensed eventing Technical Delegate or an Equestrian Canada trained or EC/FEI licensed eventing Course Designer is required – level is in accordance with EC Rules for Eventing Art D501.

2.3 Other Officials:

If the competition includes jumping or cross country - Veterinary requirements as per EC Rules for Eventing Art D507 and medical personnel per EC Rules for Eventing Article D 113.

2.4 Tests:

Flexibility is provided for running of Tests. Tests may be judged in the normal manner as minimum percentage classes as clear rounds, on the honor system, closest to the optimum time etc. Classification may be individual, pairs or teams.

ARTICLE D203 TEST DESCRIPTION / GUIDELINES

3.1 Cross Country Test

Cross country tests consist of distinct competitions involving various cross country skills. The test may include pace, (closest to the optimum time), taking your own line, following unknown course, clear round cross country, etc. The conditions under which the Cross Country test will be conducted must be printed in the prize list. Cross country specifications may be less than, but may not exceed those described for the specific division in Annex 6 and 7 of the EC Eventing Rules up to the EV110 division inclusive.

3.2 Combined Test

Combined tests consist of two distinct tests which a Competitor rides the same Horse throughout. The tests may include two of the following- dressage, jumping. Specifications for a combined test may not exceed those defined for the applicable division as provided in Annexes 6 and 7.

The Competitor 's score from both tests are added together to determine the result. A Competitor may enter the same Horse in two consecutive levels.

3.3 Eventing Derby Test

The test shall involve an optional dressage test and a jumping test that may involve cross country obstacles. The jumping may be in an arena or on a short cross country course. Cross country specifications may be less than, but may not exceed those described for the specific division in Annex 6 and 7 of the EC Eventing Rules up to the EV110 division inclusive. The same Competitor must ride the Horse throughout.

3.4 Beginner Eventing Rider Test

Open to all Competitors of any age who have never competed in a Horse trial on any Horse, The test shall involve a EV85 level (or equivalent) dressage test (30%), jumping 6 or 7 fences in an arena (30%) and galloping in the open over 3 or 4 fences (40%). The fence height will not exceed 0.85m. Each Competitor will be judged on position, seat and effective use of the aids. The Competitor must ride the same Horse throughout.

3.5 Eventing Equitation Test

Open to all Competitors. The test shall involve and dressage test (40%) and jumping approximately 10 cross country type obstacles not to exceed 1.10m. (60%). The jumping may be in an arena or on a short cross country course. Each Competitor will be judged on position, seat, effective use of aids. The Competitor must ride the same Horse throughout.

3.6 Young Event Horse Test

Open to four and five year old Horses with any rider. The test shall involve a short dressage test, a jumping test that may involve cross country obstacles of 8-12 fences up to 1.0m (4yr old) or 1.10m (5yr old) and a final judging of Horses shown in hand for conformation, suitability and presence. The same Competitor must ride or show the Horse throughout.

CHAPTER 3 HORSE TRIALS

ARTICLE D301 INTRODUCTION

1. **Definition.** The Horse Trials consists of the three distinct tests usually taking place on one, two or three days during which the Competitor rides the same Horse throughout namely:
 - a. Dressage
 - b. Show Jumping
 - c. Cross Country
 - d. The Dressage test must be first. The Cross Country and Jumping tests may follow in either order. The intention must be stated in the Schedule/Prize List.
2. **Equestrian Canada Categories, Classifications and Levels of Horse Trials.**
 - 2.1 The following levels of competition may be offered at a Horse Trial: EV120, EV115, EV110, EV105, EV100, EV90., and EV85. See Annex 1 for descriptions. For Local levels (i.e. lower than EV85) see General Regulations, Chapter 5, Article A503.1.
 - 2.2 Gold sanctioned (Equestrian Canada) Horse Trial divisions are EV120, EV115 and EV110.
 - 2.3 Silver sanctioned (Equestrian Canada) Horse Trial divisions are EV105 and EV100.
 - 2.4 Bronze sanctioned (Equestrian Canada) Horse Trial divisions are EV85 and EV90.
 - 2.5 All Equestrian Canada sanctioned Horse Trials are conducted under the Equestrian Canada Rules
 - 2.6 All levels of Horse Trials may be offered at a single competition on the same day(s) but only one Competition Licensing fee shall be paid which will be at the highest level of competition offered. There is no maximum or minimum number of days specified for a Horse Trials
 - 2.7 Internationally sanctioned Horse trials (CICs) are sanctioned by the Fédération Equestre Internationale (FEI) and conducted under the rules of the FEI.
 - 2.8 EQUESTRIAN CANADA BRONZE “LOCAL Divisions”. Under Equestrian Canada General Regulations Art A 503 - Organizers may hold one or more divisions under Equestrian Canada Bronze sanctioning as “Local Division” provided that the specifications for these divisions do not exceed that of the “EV85” division.
 - 2.9 CANADIAN PONY CLUB RALLIES may be sanctioned as Equestrian Canada Bronze competitions provided they are restricted to Pony Club members. The Canadian Pony Club Rally rules may be used subject to the advance approval of the Equestrian Canada accredited Technical Delegate for the competition. The Technical Delegate is responsible to ensure that the Canadian Pony Club Rally rules meet or exceed the safety standards and competition specifications as defined by the Equestrian Canada Rules for Eventing. For this purpose, the Organizer must provide a copy of all applicable Pony Club Rally Rules to the Technical Delegate within in a reasonable time frame so that an adequate review can take place.
3. **Combined Divisions.** At the option of the Organizing Committee and to help provide a step between levels, combined divisions may be offered at Horse

Trials. These divisions will have the Dressage and Jumping tests at one level higher than the Cross Country test.

The following divisions may be offered:

- **EV110/100 – EV110/ EV100** – Dressage and Jumping tests at the EV110 level, Cross Country test at the EV100 level.
- **EV115/110 – EV115/ EV110** – Dressage and Jumping tests at the EV115 level, Cross Country test at the EV110 level.
- **EV120/115 – EV120/ EV115** – Dressage and Jumping tests at the EV120 level, Cross Country test at the EV115 level.

Speeds, distances and obstacle dimensions must adhere to the EC specific regulations for the level identified. For example in a **EV110/100**- Combined division the Cross Country Test must be conducted according to the rules and specifications of an EC EV100 Horse trial division while the Dressage and Jumping Tests must be held according to the rules and specifications of an EC EV110 Horse Trial division.

Combined Divisions must be held as sanctioned competitions. The level of Equestrian Canada competition sanctioning level required will be determined by the level of the Cross Country test. Classification points (if applicable) will be earned in the Combined Division at the rate specified for the level of the Cross Country Test. The level of Technical Delegate and Judge who may officiate will be determined by the level of the Cross Country test.

ARTICLE D302 CLASSIFICATION

1. Classification in the three tests.

- 1.1 In the dressage test, each Competitor's good marks awarded by the judges are converted into penalty points. They are recorded for inclusion in the final classification and published (see Article D306 Scoring & Annex 3).
- 1.2 In the Cross Country Test, each Competitor's penalties for faults at obstacles are added to any penalties incurred for time. They are recorded for inclusion in the final classification and published.
- 1.3 In the Jumping Test, each Competitor's penalties for faults at obstacles are added to any penalties he may have incurred for excess time. They are recorded for inclusion in the final classification (total score) and published.

2. Individual final classification.

- 2.1 The winning individual is the Competitor with the lowest total of penalty points, after adding together for each Competitor, the penalty points incurred from each test.
- 2.2 In the event of equality between two or more Competitors the classification is decided by:
 1. The best cross country score including faults at obstacles and time penalties. If there is still equality, the classification is decided in favour of the Competitor whose cross country time was closest to the optimum time.
 2. If there is still equality, the Competitor with the best Jumping score (time and obstacles)
 3. If there is still equality, the Competitor with the best time (fastest) in the Jumping test
 4. If there is still equality, the classification will be decided in favour of the Competitor with the best penalty score (lowest) in the dressage test

5. If there is still equality the tie will remain in the Final Classification.

3. Disqualification and elimination

- 3.1. **Elimination** from one of the tests entails elimination from the overall competition of the Competitor and/or Horse. The Competitor and/or Horse may not continue in the competition.
- 3.2. **Disqualification** from one of the tests entails disqualification from the final classification. Disqualification means that a Competitor and the Horse(s) they are competing may not take further part in the competition.

4. Team Final classification.

- 4.1 The winning team is that with the lowest total of penalty points after adding together the final scores of the three highest placed Competitors within the team. For the purposes of Team Classification only, a Competitor who fails for any reason to complete the entire competition will be awarded 1000 penalty points.
- 4.2 In the event of equality between any two or more teams, the classification will be decided by the best combined highest three placings – e.g. A team with riders ranked individually 2nd, 8th and 12th team total 22 will beat the one with riders ranked 1st, 7th and 15th, team total 23. Should these figures be equal a tie shall be declared.

5. Eliminated Competitors – Conditions for continuing Hors Concours

- 5.1 An eliminated Competitor /Horse combination may be permitted to participate in the subsequent test(s) under the status “hors concours” with the following provisions which must take place before the Competitor is scheduled to start the next test:
1. The Competitor who has been eliminated due to being unseated must be examined by designated medical personnel and receive medical clearance according to Art D 111.
 2. The Competitor /Horse combination must receive permission of the Ground Jury, the Technical Delegate and the Organizer to continue. Permission, if granted, should be granted in a timely manner.
 3. The Competitor and coach/trainer must sign a “waiver” of understanding. If the coach/trainer is not available to sign the waiver the Competitor may not continue.
 4. If there is not sufficient time for these conditions to be met before the eliminated Competitor’s scheduled start time in the next test, the Competitor may not continue. Exception – the Organizer may permit the Competitor to start at an alternate time.
- 5.2. Competitors eliminated or disqualified due to Art D111 Competitor Welfare, or Art D112 Abuse of Horse or Art D113 Dangerous Riding will not be permitted to continue in the competition.
- 5.3. Competitor /Horse combinations eliminated due to fall of Horse and Competitor will not be permitted to continue in the competition.
- 5.4. An eliminated Competitor /Horse combination that is permitted to start the subsequent test on a “hors concours” basis must retire and leave the course upon the first refusal
- 6. Technical Elimination:**
The elimination of a Competitor / Horse combination due to an error made by the Competitor - shall be recorded in the results as a Technical Elimination (E-OT).

Technical eliminations would include:

- Not crossing the start or finish flags or compulsory flags of show jumping or cross country test
- Omitting to jump an obstacle or an element in the show jumping or cross country test
- Error of course not rectified in the show jumping or cross country test
- Not jumping obstacles in the correct order
- Three errors of course in the dressage test

ARTICLE D303 DRESSAGE TEST

1. Object and General Description.

1.1 The object of dressage is the harmonious development of the physique and ability of the Horse. As a result, it makes the Horse calm, supple, loose and flexible but also confident, attentive and keen thus achieving perfect understanding with his rider.

These qualities are revealed by:

- The freedom and regularity of the paces
- The harmony, lightness and ease of the movements
- The lightness of the forehand and the engagement of the hind quarters originating in lively impulsion
- The acceptance of the bridle, with submissiveness throughout and without any tenseness or resistance

1.2 The rules governing the Dressage Test shall be as laid down in the FEI "Rules for Dressage" except where specifically modified in the following respects. For definition of "lengthened stride" and Dressage Test requirements, see Rules of Equestrian Canada, Section E Dressage.

2. **Nature of the Test.** The Nature of the test will be determined by the level of the event and will therefore be related to the quality and standard of preparation of the competition and Horses. Official Tests will be chosen by the Equestrian Canada Eventing Committee. Official tests are published annually in the EC Eventing Omnibus.

ARTICLE D304 RULES GOVERNING THE DRESSAGE TEST

1. **Commanded Tests:** All tests at the EV115 level and above and all National and Provincial Championship Tests must be ridden from memory.

2. **A Competitor who fails to enter the arena** within 45 seconds of the starting signal but within 90 seconds or who enters the arena before the starting signal has been given will be penalized for an error of test. Competitors who do not enter the arena within 90 seconds will be eliminated, unless the judge at C has been given a valid reason (such as the Horse losing a shoe).

3. **Salute:** Riders must take reins in one hand at the salute. A lady rider shall let one arm drop loosely along her body and then incline her head in a slight bow. A Gentleman rider shall remove his hat and let his arm drop loosely along his body. Riders with safety harness are not required to remove their hat and may render the salute as does the lady rider. The military salute is only permissible when riding in a uniform.

4. **Lameness:** In a case of marked lameness, the President of the Jury or Judge informs the Competitor that he is eliminated. There is no appeal against this decision.

5. **In a movement** which must be carried out at a certain point of the arena, it should be done at the moment when the competitor's body is above this point.
6. **Leaving Arena:** A Horse leaving the arena completely with all four feet during a dressage competition between time of entry and the end of the test will be eliminated.
7. **Resistance:** Any resistance that prevents the continuation of the test longer than 20 seconds will be punished by elimination
8. **A test begins** with the entry at A and ends after the salute at the end of the test, as soon as the Horse moves forward. Any incidents before the beginning or after the end of the test have no effect on the marks. The competitor should leave the arena in the way that is prescribed in the text of the test.
9. **Outside Intervention:** Any outside intervention by voice, signs etc. (except where the test may be commanded) is considered as assistance to a rider or to the Horse. A rider or Horse receiving such assistance must be eliminated. A Competitor receiving such assistance may be eliminated (See Art D304.6.1).
10. **Time:** The execution of the test is not timed. The time shown is for information only.
11. **All trots** are to be executed "sitting" unless otherwise indicated in the test. At a transition from a rising trot to a canter, walk or halt the last few steps of the trot may be executed sitting.
12. **Use of Voice:** The use of the voice in any way whatsoever or clicking the tongue once or repeatedly, is a serious fault involving the deduction of at least 2 marks from those that would have been otherwise awarded for the movement where this occurs. The use of the voice will incur deduction of marks each time it is used but does not count towards elimination. For example, a Judge awarding 8 to a movement must deduct 2 or more points from the given mark (example: 8 becomes 6 comment: voice).
13. **Error of Course:** When a Competitor makes an error of Course, (takes the wrong turn, omits a movement etc.) the Judge (or President of the Ground Jury) warns the Competitor by sounding the bell. The Judge shows the Competitor, if necessary, the point at which he must take up the test again and the next movement to be executed then leaves him to continue by himself. However, in some cases, when the Competitor makes an Error of Course the sounding of the bell would unnecessarily impede the fluency of the performance – for instance if a Competitor makes a transition at V instead of K – it is up to the Judge to decide whether or not to sound the bell.
14. **Error of Test:** When a Competitor makes an Error of Test he will be penalized with 2 penalty points for each occurrence.
 - Entering the arena before the start signal is given
 - Entering the arena between 45 and 90 seconds of the start signal
 - Not taking the reins in one hand during salute
 - Doing a rising trot when a sitting is specified or vice versa
15. **Repetition of a Movement following an Error:** In principle, a Competitor is not allowed to repeat a movement of the test unless the Judge decides on an error of course and sounds the bell. If, however, the rider has started the execution of a movement and tries to do the same movement again, the judge(s) must consider the first movement only and at the same time penalize for an error of course. If the bell is not rung and the same error occurs again because the same movement is repeated in the test, only one Error of Course is recorded.

The decision as to whether or not an error of course or test has been made will be that of the judge at C. The other judges' scores will be adapted accordingly.

ARTICLE D305 DRESSAGE ARENA

1. Size.

- **SMALL ARENA:** The 20 m by 40 m dressage arena must be used when indicated in the directives on a specific official dressage test
- **STANDARD ARENA:** The 20 m by 60 m dressage arena must be used when indicated in the directives on a specific official dressage test.

When the directives on a specific official dressage test offer the test in either the small or standard arena, the choice of which arena to be used is that of the Organizing Committee.

2. Construction:

The enclosure should consist of a low fence about 0.30 m high. At Horse Trials, the arena may be either totally or partially enclosed.

3. Letter Placement:

The letters outside the enclosure should be placed about 0.50 m from the fence. It is desirable to place a special marker on the fence itself, level with and in addition to the letter.

4. Judges' Placement:

The President's box should be placed on the prolongation of the center line, (C) the other (M or H) 2.50 metres from and on the inside of the prolongation of the long sides and should be a minimum of 3 meters and maximum of 5 meters from the arena. The third judge will be at either E or B, outside and 5 -10 metres from the arena. The three positions shall be either C, H, B or C, M, E as determined by the Technical Delegate.

If only two judges are used, they will be positioned at C and either B or E as determined by the Technical Delegate. If only one judge is used he/she will be positioned on the prolongation of the center line (C). A separate hut/area shall be provided for each judge. They must be raised not less than 50 cm above the ground in order to give the judges a good view of the arena.

ARTICLE D306 DRESSAGE SCORING

1. Marking:

Judges will award good marks from 0 to 10 for each numbered movement and for each of the collective marks. The scale of marks is as follows:

| | | | |
|----|--------------|---|--------------|
| 10 | Excellent | 4 | Insufficient |
| 9 | Very Good | 3 | Fairly Bad |
| 8 | Good | 2 | Bad |
| 7 | Fairly Good | 1 | Very bad |
| 6 | Satisfactory | 0 | Not executed |
| 5 | Sufficient | | |

All Half marks from 0.5-9.5 may be used both for movements and collective marks, at the discretion of the judge.

2. Errors:

2.1 Error of course (Art 304.13) are penalized as follows:

First error by 2 points

Second error by 4 points

Third error results in elimination

2.2 Error of Test: (Art 304.14) each error of test incurs two penalty points, but are not cumulative and therefore do not result in elimination.

3. **Falls:** In the case of a fall of Horse and/or Competitor, the Competitor will be eliminated.

4. **After Elimination:**(except when eliminated for marked lameness or fall), a Competitor may continue his performance to the end. The marks will be awarded in the ordinary way.

See Art D 302.5 for conditions in which eliminated Competitors may continue in subsequent test on an hors concours basis.

5. **Calculation of Scores**

5.1 The good marks from 0 to 10 awarded by each judge to a Competitor for each numbered movement of the Dressage Test together with the collective marks are added together deducting any error of course or test.

5.2 For each judge the percentage of maximum possible good marks obtainable is then calculated. (Percentage is obtained dividing total good marks of the judge (minus any error of course or test) by maximum possible good marks obtainable and then multiplying by 100 and rounding the result to two decimal digits. This value is shown as the individual mark for that judge.

5.3 In order to convert average percentage into penalty points, the percentage mark must be subtracted from 100, with the resulting figure being rounded to one decimal digit. The result is the score in penalty points for the test.

5.4 Where two or more judges have marked a test, their percentage marks are averaged to two decimal places. This percentage is converted into penalty points in the same way.

6. **Additional reasons for Elimination:**

6.1 ELIMINATION IS LEFT TO THE DISCRETION OF THE GROUND JURY/JUDGE IN THE FOLLOWING CASES:

6.1.1 Receiving unauthorized assistance (Article D304.9).

6.1.2 Performing the Test in incorrect dress (Article D114.6).

6.2 ELIMINATION MUST BE APPLIED IN THE FOLLOWING CASES:

6.2.1 Marked lameness (Article D304.4).

6.2.2 Leaving the arena between the time of entry and the time of exit at A (Article D304.6).

6.2.3 Resistance (Article D304.7).

6.2.4 Competing with improper saddlery (Article D 115) or with illegal whip (Article D114.3) and/or spurs (Article D114.4).

6.2.5 Competitor not entering the competition arena within 90 seconds after the signal except where a valid reason has been provided to the Judge (valid reason may be losing a shoe, etc.) (Article D304.2).

ARTICLE D307 CROSS COUNTRY TEST

1. **The Cross Country Test** is to prove the speed, endurance and jumping ability of the true cross country horse when it is well trained and conditioned. At the same time, it demonstrates the competitor's knowledge of pace and the use of his horse across country.

2. It consists of a cross country course with obstacles normally carried out at the gallop.

ARTICLE D308 RULES GOVERNING THE CROSS COUNTRY TEST

1. Starting.

- 1.1 THE STARTER. Competitors at the start of the Cross Country must be under the control of the starter and may not deliberately start until instructed to do so under penalty of elimination at the discretion of the Ground Jury. The Horse does not have to stand absolutely immobile, but the Competitor must not get any advantage from a flying start. Each Competitor should be given reasonable warning before the time that he is due to start, but it is the Competitor's responsibility to ensure that he/she is ready to start at the correct time. Unless otherwise instructed, all Competitors should be started at their exact published start time.
- 1.2 START BOX. In order to simplify the task of the starter, an enclosure 5 by 5 meters will be built at the start of Cross Country with an open front through which Horses will start and a gap (measuring a minimum of 1.5 metres) in one or both sides through which the Horses will enter. Each Competitor must start from within the enclosure and is at liberty to move around and through the enclosure as he pleases. An attendant may lead the Horse into the enclosure and may hold the Horse until the signal to start is given. From that instant, the Competitor is considered to be on course and no further assistance may be given (see Article D308.8).
- 1.3 LATE FOR START.
 - 1.3.1 If a Competitor is not ready to start at his correct time (original or revised schedule), he may be allowed, at the discretion of the starter or at the instruction of the Technical Delegate to start when he is ready, subject to the following conditions:
 - a) A late Competitor will not be permitted to start if there is any risk of interfering with the subsequent Competitor
 - b) His starting time will be recorded as if he had started at the correct time.
 - 1.3.2 Under exceptional circumstances, the Ground Jury may permit a competitor to start at other than his posted start time provided their division is still underway. When this happens, the new, agreed upon start time will become the Competitor's official revised start time.
- 1.4 INADVERTENTLY ANTICIPATING THE START. If a Competitor inadvertently starts early, his time will be recorded from the moment he crossed the start line. No Competitor may deliberately start before being given the signal and could be eliminated at the discretion of the Ground Jury.

2. Time.

- 2.1 OPTIMUM TIME. The distance chosen carried out at the chosen speed gives the Optimum Time. Completing Cross Country in less than the optimum time is not rewarded. A Competitor exceeding the optimum time up to the time limit or excessive speed is penalized in accordance with Article D311.1.5.
- 2.2 SPEED FAULT TIME: For EV85 through EV100, the distance divided by the speed fault speed gives the speed fault time. Completing the course in less than the optimum time is not penalized up to the speed fault time. Completing the course in less than the speed fault time will be penalized in accordance with Art D311.1.5. The speed used to determine the speed fault speed is the maximum permitted speed allowed for the next level. (eg. For PT- the speed fault speed would be the maximum speed permitted for the EV100 division)
- 2.3 TIME LIMIT.

The time limit is twice the optimum time.

2.4 **TIME KEEPING.**

Timekeepers are required at the beginning and end of Cross Country and at Stopping Points if used.

2.5 Timing should be by synchronized chronometers (accurate time of day stop watches) each Competitor's time of starting and finishing being accurately noted and recorded by properly qualified personnel. Two chronometers must be used at the start and finish of Cross Country. As an alternative, where chronometers are not available, normal stop watches can be used. Competitor

2.6 Time is counted from the instant the starter gives the signal to start or when the chest of the Horse crosses the start line, whichever happens first, to the moment when the Horse's chest crosses the finishing line.

2.7 Time is counted in whole seconds, fractions of seconds being rounded up to the next higher second.

2.8 **TIMING OF THE CROSS COUNTRY.** If a Competitor is stopped on any of the phases by an official, e.g. for a broken fence, accident, being overtaken, for medical or veterinary examination, etc., the time during which he is prevented from continuing until he is cleared to start will be recorded and deducted from the total time taken to complete the Cross Country course.

2.9 For educational purposes, organizers are encouraged to include each Competitor's elapsed time and average speed when posting cross country time penalties.

3. **Errors of Course.** All compulsory passages on Cross Country and all obstacles, including all elements and/or options, must be passed or jumped in order under penalty of elimination. All red or white flags must be respected wherever they occur on all courses, except as provided in Article D310.2.2, under penalty of elimination, at the discretion of the Ground Jury. Retaking an obstacle already jumped is forbidden, under penalty of elimination except as provided for in Article D310.2.1

Larking - (the unnecessary jumping of fences that do not form part of a Competitor's course) is prohibited under penalty of elimination. It is permissible to jump a fence of a lower level, in the correct direction only if it offers a better line to the next obstacle and provided the Competitor receives pre- approval of the plan from the Technical Delegate/Ground Jury.

4. **Pace & Dismounting.**

Competitor Horse Between the start and finish of Cross Country Competitors are free to choose their own pace. Dismounting as a result of attempting an obstacle is penalised by elimination in accordance with Art. 311.1.2. Competitors may voluntarily dismount without incurring elimination to check on Horse, adjust saddle or equipment.

5. **Overtaking.**

5.1 Any Competitor who is about to be overtaken by a following Competitor must quickly clear the way. Any Competitor overtaking another Competitor must do so only at a safe and suitable place.

5.2 When the leading Competitor is before an obstacle and about to be overtaken, he/she must follow the directions of the Officials. When the leading Competitor is committed to jumping an obstacle, the following Competitor may jump that obstacle only in such a way that will cause no inconvenience or danger for either.

- 5.3 The penalty for willful obstruction of an overtaking Competitor, failure to follow the instructions of the Officials, or causing danger to another Competitor is penalized at the discretion of the Ground Jury according to Article D113
- 5.4 The time that the Competitor is held by the officials will be recorded and deducted from the total time taken by the Competitor to complete the course.
- 6. Competitors in difficulty.**
- 6.1 If, in attempting to negotiate an obstacle, a horse should be trapped in such a way that it is unable to proceed without assistance, the horse shall be eliminated from competition and the score posted as elimination (E – HF).
- 6.2 The fence judge will decide if parts of the obstacle need to be dismantled or if any assistance needs to be given to extricate the Horse.
- 7. Stopping Competitors.**
- 7.1 If an obstacle is obstructed by a Competitor in difficulty, or if an obstacle has been dismantled to release a fallen Horse or if an obstacle has been broken and is not yet rebuilt, or in any similar circumstances, subsequent Competitors must be halted.
- 7.2 In such a case, an official should be posted in the path of an oncoming Competitor. He shall wave a red flag or other suitable material that indicates that the Competitor must stop. Failure to stop is penalized by elimination at the discretion of the Ground Jury.
- 7.3 Competitors may be stopped at obstacles or at Stopping Points on the course.
- 7.4 The Official will stop Competitors only upon the instruction of the Control Center or during an emergency at his own obstacle.
- 7.5 The time during which the Competitor was stopped, from the moment he passed the Stopping Point until he re-passed that same Point after being given the order to restart, will be recorded by the Official. It will be deducted from the total time taken by the Competitor to complete the course. It is clearly intended that the time shall be taken as the Competitor gallops past the Stopping Point not after he halts nor after a start from a halt.
- 8. Unauthorized Assistance.**
- 8.1 Any intervention by a third party, whether solicited or not, with the object of facilitating the task of the competitor or of helping his horse is considered unauthorized assistance and the competitor is liable to be eliminated.
- 8.2 Officials or spectators who draw the attention of a Competitor to a deviation from the course are giving unauthorized assistance which may result in the elimination of the Competitor. If it is an EC official who provides the unauthorized assistance, he/she is liable to be disciplined according to regulations.
- 8.3 In particular, the following will be considered unauthorized assistance:
- Intentionally to join another Competitor and to continue the course in company with him.
 - To be followed, preceded or accompanied, on any part of the course, by any vehicle, bicycle, pedestrian or Horseman not in the competition.
 - To post friends at certain points to call directions or time information or make signals in passing.
 - To have someone at an obstacle to encourage the Horse by any means whatsoever.

- To tamper with the obstacles or any part of the course including for instance flags, indicators, markers notices, ropes, trees, branches, wire or fences whether temporary or permanent.
- 8.4 Each case of unauthorized assistance will be decided by the Ground Jury.
- 8.5 AUTHORIZED ASSISTANCE.
- 8.5.1 Whip, headgear or spectacles may be handed to a Competitor at any time.
- 8.5.2 A Competitor may receive clarification of jumping penalties from a fence judge, e.g. after jumping a flag at a corner, the judge may clarify whether it was a run-out or not.
- 8.5.3 A Competitor, after having knocked down a flag at an obstacle as a consequence of a run out, may ask the Fence Judge for the flag to be repositioned, but no time will be deducted.
- 9. After Elimination/Retirement/Disqualification.**
- A Competitor eliminated or retired for any reason must leave the course at once and has no right to continue. If the Competitor does not stop at once and it can be established beyond a reasonable doubt that the Competitor should be eliminated or retired, the Competitor should be stopped as soon as possible and reported to the Ground Jury. A Competitor must walk their horse off the course either mounted or dismounted. No objection to this decision will be permitted. Failure to comply with this regulation may result in penalties as per Art D113 and Annex 8
- See Art D 302.5 for conditions in which eliminated Competitors may continue in subsequent test on an hors concours basis.

ARTICLE D309 CROSS COUNTRY COURSES

1. Marking of the course.

- 1.1 RED AND WHITE BOUNDARY FLAGS. These shall be used to mark the starting and finishing lines, to mark compulsory passages, and to mark the extremities of the obstacles to be jumped. These flags, which must be secured to appropriate flag poles are placed in such a way that the Competitor must leave a red flag on his right and a white flag on his left. They must be passed mounted.
- 1.2 DIRECTIONAL MARKERS. Yellow direction flags or signs, which should be super-imposed with the letter of the division where necessary, are used to show the general direction to be taken and to help the Competitor to find his way. Passing close to them is not obligatory.
- 1.3 NUMBERS & LETTERS. Each compulsory passage on Cross Country shall be marked with the relevant division and numbered consecutively
- Each obstacle on Cross Country shall be numbered. Obstacles with elements or options (see Article D310.2) shall, in addition, be lettered (A, B, C, etc.). The colours of the numbers used should be as follows:
- EV120 – white number, blue background
 - EV115 – white number, red background
 - EV110 – white number, green background
 - EV105 – orange number, blue background
 - EV100 – white number, black background
 - EV90 – black number, white background

- EV85 - black number, yellow background or as designated by the organizer and printed on the course map.
- 1.4 START AND FINISH. The start and finish of each phase must be clearly and distinctively marked by signposts and by red and white boundary flags.
- 1.4.1 For directions on Start Box dimensions and starting procedures see Art D 308.1.
- 1.4.2 The last obstacle on the Cross Country course shall be not less than 30 meters nor more than 75 meters from the finishing line.

1.5 SAFETY FLAGS. Use of safety flags mandatory for the following types of fences:

- Corners;
- Fences of less than 3m jumpable width;
- Related fences which, because of their design offer a jumpable line of less than 3m width;
- Fences designed to be jumped on an angle where knocking a flag is a possibility;

If safety flags are used, the flags and poles on these fences must meet the following criteria:

- The flag poles must be made of a material that cannot shatter, break or splinter, such as suitable plastic or carbon fiber
- There must be no points anywhere on the flag poles and any sharp corners and/or edges on the flags must be rounded;
- Flags must be secured in such a way that they “break away” and/or move away from the fence if/when struck by either Horse or rider in such a way that the chance of Horse and/or rider being injured is significantly reduced.
- All flags and flagpoles to be used in these situations will need to be approved by Technical Delegate.

2. **Two or More Levels on Same Course.** In cases where courses for two or more levels of competition are marked at the same time, only those markings that form part of the course for the competition of the rider in question are considered officially marked. Refer also to Article D113.1 Dangerous Riding and Article D308.3 Larking for definitions and penalties.

3. **Distances and Speeds.**

3.1 The distances for Cross Country should not be more than 500 meters shorter than those set out but may be somewhat longer (up to 10%) to suit local conditions. The given speeds are to be used in all but exceptional circumstances and may be altered only with the approval of the Technical Delegate.

3.2 For the recommended speeds and distances for Horse Trials see Annex 6.

4. **Stopping Points.**

4.1 Stopping Points shall be marked by a peg painted in a vivid color, surveyor’s flags, or by a sign. Refer to Art D309.7 for procedure to stop Competitors.

5. **Course Plans.**

Each Competitor will be given in advance a plan showing the track of the courses.

The plan must include the following:

- The position of the start and finish and stopping points
- The numbered obstacles and compulsory passages
- The distance (metres) and speed (metres per minute)

- The optimum time and time limit.

ARTICLE D310 CROSS COUNTRY OBSTACLES

- 1. Definition.** An obstacle is considered as such if and only if its extremities are marked with a red and white flag or flags and it is numbered. All significant jumping efforts that the average Horse may be expected to attempt to negotiate must be defined as an obstacle or element and flagged, numbered and/or lettered accordingly.
- 2. Obstacles with Elements or Options.**
 - 2.1 OBSTACLES COMPOSED OF SEVERAL ELEMENTS.** If two or more jumping efforts sited closely together are designed as one integral test, they will be designated as "elements" of a single numbered obstacle. Each element will be marked with a different letter (A, B, C, etc.) and must be negotiated in the correct order. Where two or more jumping efforts are sited so closely together that after a refusal or run-out it would be unreasonably difficult to attempt to negotiate the second or subsequent effort without retaking one or more earlier efforts, these jumping efforts must be designated as one numbered obstacle and lettered accordingly. (Diagram, Annex 5)
 - 2.2 OBSTACLES WITH OPTIONS OR ALTERNATIVES.**

Where an obstacle may be jumped in one effort but has options involving two or more efforts, each of these options must be lettered as an element.
 - 2.3** Alternative obstacles or elements may be flagged separately and must be identified by the same number/letter as on the direct route. In this case both sets of flags must be marked with a black line. Such 'black flag' alternatives are to be judged as separate obstacles or elements, only one of which has to be jumped. A Competitor is permitted to change, without penalty, from one black flagged line to another (e.g. jumping 6a left hand route then 6b right hand route) provided he has not presented his Horse at the next element of the original line. (See diagrams Annex 5). In a combination, the Technical Delegate, with the approval of the Ground Jury, may allow Competitors to cross their tracks after a black flag lettered alternative long route, if this improves the flow of the course. This does not change the method of scoring for the Competitor on the direct route through the elements of the obstacle.
 - 2.4** These obstacles, if possible, should be designed as the same type as the direct route but not interfere with it. Alternative obstacles must not be sited in such a way as to encourage a quick jump following a refusal. Where possible, alternates should be sited only behind the direct route, in the landing site of obstacles. If this is not practical (where ground slopes away or water involved) the alternative obstacles must be some distance away ensuring sufficient recovery time (about three strides)
 - 2.5** Multiple obstacles should be judiciously spread throughout the course.
- 3. Types of obstacles.**
 - 3.1** The obstacles must be fixed, imposing in shape and appearance. When natural obstacles are used they should, if necessary, be reinforced so that they remain in the same state throughout the test. All reasonable precautions must be taken to prevent the possibility of a Competitor being able to pass mounted under an obstacle. Portable obstacles must be secured to the ground in a way that the fence cannot move.

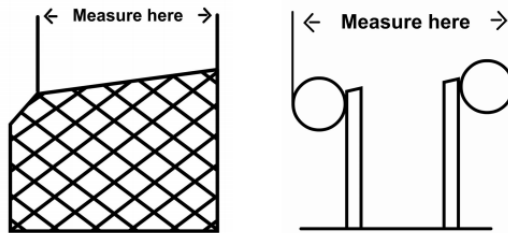
- 3.2 Construction: The obstacles at which a Horse, in falling, is likely to be trapped and to injure itself, must be built in such a way that part of the obstacle can be quickly dismantled and can be quickly rebuilt exactly as before. Such a construction must in no way detract from the solidity of the obstacle.
- 3.3 **Frangible/deformable obstacles**
- 3.3.1 Obstacles at the EV100 level and above for which approved frangible technology is appropriate shall be constructed using approved Frangible technology or retrofitted using this technology.
- 3.3.2 All rail fences for which frangible technology can be employed must use that technology (e.g. Frangible Pins, MIM Clips or any other load relieving device). These fences include, but are not limited to: verticals, or near verticals, gates, open corners, and open oxers in all cases. At a minimum, these devices must meet the requirements of the FEI frangible fence standard.
- 3.4 Groundlines: Groundlines must be used on all fences. False groundlines are not permitted
- 3.5 In all water crossings the bottom should be firm and consistent.
- 3.6 **Sloping and Round Leading Edges**
Spread fences including corners must not have an upright or vertical leading edge. The top of the front of the fence must be rounded or sloped. All other fences including gates, and fences using square and/or sawn materials must not have any sharp or square edges. Brush fences are excluded provided there is at least 20cms of brush above the solid part of the fence.
- 3.7 **Brush**
Brush on top of fences must be of flexible and deformable material. The fence must be constructed so that the Horse clearing the fixed and solid part is unlikely to be injured by the brush or hedge. The fixed/solid part of the fence must be clearly defined. Bullfinches (ie thin brushes or hedges through which a Horse can be expected to jump are permitted provided they can be maintained in constant condition throughout the competition.
- 3.8 The use of motorized vehicles as the jumpable portion of a fence is not permitted.
- 4. Number of jumping efforts.**
- 4.1 Within the limits shown in Annex 6 (for Horse Trials) the total number of jumping efforts on Cross Country shall be related to the length of the course.
- 4.2 To arrive at the number of jumping efforts, the efforts on the route expected to be taken by the average Horse shall be totaled.
- 5. Dimensions.**
- 5.1 The dimensions of obstacles must be within the limits shown in Annex 7 for the relevant level of competition.
- 5.2 The fixed and solid part of an obstacle must not exceed the specified height or spread at any of the points at which a Competitor might reasonably attempt to negotiate the obstacle. The overall height of a brush fence must never exceed the dimension set in the table in Annex 7.
- 5.3 At obstacles involving water crossings (ford, lake, wide river), the depth of the water, from the entrance to a fair distance and from a fair distance to the exit, may not be more than 30 cm. Recommended depth is 10-15 cm. The length of a water crossing must be at least 6m between entry and exit except where an

exit step(s) or fence is jumped directly out of the water, in which case the minimum length must be 9 meters.

- 5.4 At obstacles with spread only (dry or water-filled ditch) a guardrail or hedge in front that facilitates jumping is permitted. It may not exceed 50 cm in height and must be included in the measurement of the spread.
- 5.5 All obstacles should be up to height for the level of competition.
- 5.6 The number and depth of drops on the landing side of obstacles must not exceed the specifications defined in Annex 7.
- 5.7 Any roof, or other fixed and solid barrier over an obstacle, must not be less than 3.36 meters (11 feet) above the ground. The jumpable portion of the fence must not have a top spread. Such obstacles are not appropriate for EV100 division or lower.

6. Measurement.

- 6.1 The height of an obstacle is measured from the point on the ground where the average Horse would take off and where the average Horse would jump.
- 6.2 The spread of an open obstacle (eg: Oxer or Ditch) is measured from the outside of the rails or other material making up the obstacle on the line where the Horse would jump. The spread of a closed obstacle with a solid top (e.g. Tables) is measured from the highest point to the highest point on the line where the Horse would jump.
- 6.3 When the height of an obstacle cannot be clearly defined (natural hedge or brush fence), the height is measured to the fixed and solid part of the obstacle through which a Horse cannot pass with impunity.
- 6.4 The drop on the landing side of an obstacle is measured from the highest part of the obstacle to the spot where the average Horse would land.



ARTICLE D311 CROSS COUNTRY SCORING

1. **Faults at obstacles.** The following faults at an obstacle are penalized, according to the following table:

1.1 DISOBEDIENCES.

- | | |
|---|-------------------|
| • First refusal, run-out or circle at an obstacle | 20 penalties |
| • Second refusal, run-out or circle at the same obstacle | plus 40 penalties |
| • Third refusal, run-out or circle at the same obstacle | Elimination |
| • Third cumulative disobedience on the cross country course (EV120, EV115, EV110, EV105 divisions) | Elimination |
| • Fourth cumulative disobedience on the cross country course (EV100, EV90, EV85 divisions) | Elimination |
| • Activating a frangible device where the dimension of the fence is modified provided at least one of the frangible | |

- devices clearly breaks (Art D311.1.3) 11 penalties
 - Willful delay 15 penalties
- 1.2 FALLS.
- First fall of competitor – elimination (E-RF)
 - First fall of horse- elimination /mandatory retirement (E-HF)
 - Competitor Falls will be denoted as “E-RF” and Horse Falls will be denoted as “E-HF” on official score sheets and results.
- 1.3 FRANGIBLE DEVICE: Each Athlete activating a frangible device will be awarded 11 penalties whenever the activation occurs as expected (i.e activation by significant pressure exerted by Horse on the fence).
In the case of unexpected activation (i.e. activation by an insignificant contact), the Ground Jury will be called to evaluate the possible removal of the penalty. In evaluating the possible removal of the penalty the Ground Juries are not called to investigate if the Horse would have fallen or not or if the contact was with the front or hind legs, but only if an unexpected activation occurred through a light tap. This is the only case where penalties can be removed. There will be no Appeal against a decision of the Ground Jury arising from the field of play, where the Decision is based on factual observation of the performance during a competition.
In this case a detailed report explaining the reasons for removing the penalty must be produced by the Course Designer/Technical Delegate and signed by the President of the Ground Jury must be returned to Equestrian Canada
- 1.4 WILLFUL DELAY. If it has been determined that a Competitor has willfully delayed their progress on course between the last fence and the finish line, the Competitor will be penalized with fifteen(15) penalty points at the discretion of the Ground Jury.
- 1.5 **TIME FAULTS/SPEED FAULTS**
- 1.5.1 Exceeding the Optimum Time: zero point four (0.4) penalty point per commenced second
- 1.5.2 Exceeding the Time Limit: Elimination
- 1.5.3 Speed Faults – EV100, EV90 EV85 divisions – zero point four (0.4) penalty point per commenced second under the Speed Fault Time
2. **Compulsory elimination.**
Elimination must be applied in the following cases:
- Competitor Error of course not rectified
 - Omission of obstacle or compulsory passage
 - Jumping and Obstacle in the wrong direction
 - Retaking an obstacle already jumped
 - Jumping an obstacle in the wrong order or passing through a compulsory passage in the wrong order
 - Failure to pass start and finish flags mounted
 - Competitor in difficulty (D 308.6)
 - Competing with improper saddlery (Article D115) or with illegal whip (Article D114.3) and/or spurs (Article D114.4).

3. Elimination is left to the discretion of the Ground Jury in the following cases:

- Jumping, or attempting to jump, an obstacle with incorrect headgear or without headgear or with an unfastened retention harness (Article D114.1.3).
- Willful obstruction of an overtaking Competitor or failure to follow the instructions of the officials while being overtaken
- Failure to stop when signaled
- Unauthorized assistance
- Deliberately starting before being given signal to start (Article D308.1.4)
- Causing danger to another Competitor while overtaking that Competitor
- Dangerous Riding
- Abuse of Horse

ARTICLE D312 CROSS COUNTRY DEFINITIONS OF FAULTS

The following faults at obstacles (refusal, run-out, circle or fall) will be penalized unless, in the opinion of the responsible official, they are clearly not connected with the negotiation or attempted negotiation of a numbered obstacle or element.

1. Refusal.

1.1 Obstacles with Height:

At obstacles or elements with height (exceeding 30 cm), a Horse is considered to have refused if it stops in front of the obstacle or element to be jumped.

1.2 Obstacles without Height:

At all other obstacles or elements (i.e. 30 cm or less in height) a stop followed immediately by a standing jump is not penalized, but if the halt is sustained or in any way prolonged, this constitutes a refusal. The Horse may step sideways but if he steps back even with one foot this is a refusal. If the Horse hesitates but the forward motion is maintained, it is not considered a refusal.

1.3 Multiple Refusals:

After a refusal, if the Competitor redoubles or changes his efforts without success, or if the Horse is re-presented at the obstacle after stepping back and stops again this is a second refusal and so on.

2. Run Out – Missing a Flag

2.1 Clear (0 penalties) A Horse is considered to have cleared the fence when head, neck, and both shoulders of the Horse pass between the extremities of the element or obstacle as flagged. If a flag is dislodged, the hindquarters must jump the height of the solid part of the obstacle.

2.2 Run Out (20 penalties) A Horse is considered to have run-out if, having been presented at the element or obstacle; it avoids that element or obstacle in such a way that either the head, neck or point of either shoulder of the Horse fail to pass between the extremities of the element or obstacle as flagged or the hindquarters have not jumped the height of the solid part of the obstacle. Continuing on course without representing will incur elimination..

2.3 Change of Intention

The Competitor is permitted to change their mind as to where the Competitor jumps an obstacle or element at any time, without penalty, including as a result of a mistake at a previous element or obstacle. If, however, the Horse avoids

part of the obstacle at which it has been presented, it will be considered to have run-out.

2.4 **Judging of Bounce obstacles:**

At any obstacle where the distance between elements is 5 metres or less (ie a bounce), when a Horse has negotiated the first element, without penalty, he will be deemed to have been presented at the second element – and similarly if the “bounce” is for example the second, third elements of a combination. Thus if a competitor “changes their mind” while negotiating the first element of a “bounce” and, for example then goes the longer route, the Competitor will be penalized for a run-out.

3. **Circle.**

- 3.1 **At a single obstacle,** a Horse is considered to have circled if, while attempting to negotiate the obstacle, it crosses its original track before successfully negotiating the obstacle.
- 3.2 **At separately numbered obstacles,** a Competitor may circle (cross their tracks) between or around them without penalty provided the Competitor has not presented his Horse at the second or subsequent obstacles.
- 3.3 **At an obstacle composed of several elements (A,B,C etc.)** a Horse will be penalized once it has jumped the first element and before it has jumped the last element if:
 - a. It passes around the back of any element of the lettered combination that it subsequently jumps
 - b. It crosses its tracks between the elements
 - c. It circles back around any element that it has already jumped before jumping any subsequent elements.

See diagrams in Annex 5.

4. **Obstacles composed of Several Elements/Related Obstacles.**

- 4.1 **Obstacles Composed of Several Elements.** At an obstacle composed of several elements, a Competitor may refuse, run out and/or circle only twice in all without incurring elimination. If he refuses, runs out or circles at any element, he is permitted to retake any elements already jumped although he is liable to be penalized for any fault even if he has previously jumped an element successfully. If after a refusal, run-out or circle, he wishes to pass through flags in the wrong direction in order to retake an element, he may do so without penalty.
- 4.2 **Separately Numbered Obstacles.** Where two or more obstacles are sited together but are designed as separate problems and numbered accordingly, a Competitor may not, under penalty of elimination, retake any obstacle already jumped.
5. **Representing after a disobedience**
 - 5.1 **At a single obstacle:** After being penalized for a refusal, run-out or circle, a Competitor is permitted to cross their original track without penalty in order to make another attempt and may also circle one or more times without penalty, until the Competitor again presents their horse at the obstacle.
 - 5.2 **At an obstacle composed of several elements:** After being penalised for a refusal, run out or circle at any element, the Competitor is permitted to re-take any elements already jumped, although the Competitor is liable to be penalized for any fault if the Competitor has previously jumped an element successfully.

- 5.3 **At separately numbered obstacles:** After being penalised for a refusal, run out or circle a Competitor may circle between or around them without penalty provided the Competitor has not represented the horse at the second or subsequent obstacles. The Competitor may not, under penalty of elimination, retake any obstacle already jumped.
6. **Instructions to Officials.** Where there is any doubt as to the correct interpretation of the rules of judging any element, obstacle or combination of obstacles, it is recommended that the Technical Delegate, on the advice of the Ground Jury, should approve the instructions to the Officials, providing a rough sketch if necessary. All Competitors will be informed at the briefing (if one is held) and it shall be posted as soon as possible after the Technical Delegate's decision. It should also be posted with the Course Plan.

ARTICLE D313 JUMPING TEST

1. **Object & General Description.** This test is similar to an ordinary show jumping competition, but without any attempt to find a 'winner' of this test on its own. Its main objective is to prove that the Horse and competitor are well trained in the specialist discipline of show jumping.
2. The nature of the course, its length, the speed demanded and the dimensions of the obstacles depend on the degree of difficulty of the whole competition.

ARTICLE D314 RULES GOVERNING THE JUMPING TEST

1. In any circumstances not specifically covered by these rules, FEI Rules for Jumping Events shall apply.
2. Competitors must immediately enter the arena when their number is called under penalty of elimination at the discretion of the Ground Jury.
3. Unless permission has been given by the Ground Jury, it is forbidden under penalty of elimination for competitors to enter the arena on foot once the competition has started.
4. Competitors must enter and leave the arena mounted except with permission of the Ground Jury/Judge or in the case of an accident during the round. Failure to do so incurs elimination at the discretion of the Ground Jury.
5. A competitor/horse leaving the arena, including prior to starting, without permission of the Ground Jury, will be eliminated.
6. When there is a refusal, run-out or circle in the second or third element of a combination, the competitor must re-take all the jumps in the combination. Failure to do so incurs elimination.
7. Resistance includes: taking more than 45 seconds to jump a single obstacle or the first part of a combination or resistance continuously for 45 seconds during the test.
8. Competitors are forbidden to jump or attempt to jump an obstacle in the arena before starting under penalty of elimination.
9. **Unauthorized Assistance:** Any form of unauthorized assistance received by a mounted competitor between the starting signal and crossing the finishing line will be penalized by elimination at the discretion of the Ground Jury.
 - Any help given to a mounted competitor to adjust their saddlery during their test.

- Officials or other persons in the arena of warning a competitor of a deviation from the course. In this case officials or other persons may also be subject to sanction at the discretion of the Ground Jury.
10. **Authorised Assistance:** A mounted Competitor may be handed their headgear, whip and/or spectacles during their test.
 11. The bell/whistle (or other sound) is used to communicate to the competitors. The President, a designated member of the Ground Jury or the judge is in charge of the bell and responsible for its use.
 - To give permission to the competitors to enter the arena when the course is ready for their inspection and to signal that the inspection time is over.
 - To give the signal to start and to activate a 45 second countdown. The 45 second countdown sets the time that the competitor can spare before commencing his/her round. The Ground Jury has the right to interrupt the 45-second countdown if unforeseen circumstances occur. Incidents such as, but not limited to, disobediences occurring between the signal to start and up until the moment the Competitor/Horse combination crosses the starting line in the correct direction, are not penalized. However in the event of a fall, the entry will be eliminated.
 - To signal the competitor to stop for any reason or following an unforeseen incident
 - To signal the competitor to continue the round after an interruption
 - To signal the competitor that an obstacle and/or flag knocked down or displaced following a disobedience has been replaced
 - To signal by prolonged and repeated ringing that the competitor has been eliminated
 12. If the competitor does not obey the signal to stop during the test, he may be eliminated at the discretion of the Ground Jury except where specifically provided under Article D319.2.2. The competitor continues at his own risk, any penalties will count, and the clock should continue to run.
 13. If, after an interruption, the competitor starts and jumps or attempts to jump without waiting for the signal he will be eliminated.

ARTICLE D315 JUMPING COURSE

1. **Arena.** See Annex 6 for recommended arena size, the arena must be enclosed. While a Horse is in the arena during a competition, the entrances and exits must be closed.
2. **Track.** The track of the course will be winding with changes of direction and will include related distances. It will be in accordance with the condition in which a well-trained, fit Horse may be expected to be at this stage of the competition. No acrobatic feat of jumping or of turning will be demanded; nor will a compulsory passage be included.
3. **Speeds and Distances.** Within the limits shown in Annex 6, Course Designers are free to plan a track suitable to the level of the competition. The length of the course must be measured accurately to the nearest meter taking into account, particularly on the turns, of the normal line followed by the Horse. This normal line must pass through the middle of the obstacle.
4. **Marking the Course.**

- 4.1 Completely red flags and completely white flags must be used to mark the following details of the course. The red flags must always be passed on the right hand side of the Competitor and the white flags on the left hand side.
 - 4.1.1 The start.
 - 4.1.2 The side limits of the obstacles. Flags should be attached to the inside of the wing or standard of the obstacles. They may also stand independently. One red flag and one white flag must be placed at vertical obstacles and at least two red and two white flags to define the limits of spread and ascending obstacles.
 - 4.1.3 The finish.
- 4.2 At the obstacles, the starting and finishing lines, the competitor must pass between the flags (red on his right and white on his left).
- 4.3 Knocking down a flag anywhere in the arena does not incur a penalty. If a flag marking the limits of an obstacle or the finishing line has been knocked down following a disobedience/resistance, (without passing these lines) or as a result of unforeseen circumstances, the flag will not be replaced immediately; the competitor must continue his round and the obstacle will be judged as if the flag was in its original place. The flag must be replaced before the next competitor will be given the signal to start.
5. **Start and Finish lines:** The starting and finishing lines may not be more than 15 m nor less than 6 m from the first and last obstacle. These two lines must each be marked with an entirely red flag on the right and an entirely white flag on the left.
6. **Plan of the Course.** A plan of the course must show the following: positions of the start and finishing lines, relative positions of the obstacles and numbers, the track to be followed marked by a series of arrows showing direction each obstacle must be jumped, length of course, speed allowed, time allowed and time limit; and any decisions made by the Ground Jury with regard to the course. The plan of the course for the Jumping Test must be available at least one hour before the start of that test.
7. **Adjustment of Course Length.** Once the competition has started only the Ground Jury may decide that an obvious error has been committed in the calculation of the length of the course. This decision may be made after the third Competitor without fall or disobedience has finished its round. If it is apparent there has been an error the Ground Jury has the option to vary the time allowed. The scores of the Competitors who have ridden to that point will be adjusted accordingly.

ARTICLE D316 JUMPING OBSTACLES

1. **General.** The obstacles should be standard show jumping obstacles. There will be 9-12 in number with 15 efforts maximum depending on the level of the event as per limits shown in Annex 7.
2. **Dimensions:** The dimensions of the obstacles allowed for each division shall not exceed the limits shown in Annex 7. At least one third of the obstacles shall be of maximum dimensions. If it should happen that a maximum has been marginally exceeded as a result of materials used for construction and/or by the positioning on the ground, providing every effort has been made not to exceed the maximum dimensions specified in Annex 6, the obstacle will not be considered as exceeded.

- 3. Type of Obstacles.** The obstacles should have a balance of vertical and spread obstacles and shall include at least two doubles or a double and a treble. Exception: For the EV85 and EV90 divisions see Annex 1. Closed and partially closed/open combinations are not permitted. A water jump is not permitted but a water ditch with rails over is allowed. Inclusion of water obstacles is not encouraged. For reasons of safety, loose poles placed on the ground are not permitted as ground lines. Plastic Cups and Pins or FEI approved “safety” breakaway cups of 25 mm must be used for the top rail of the front, centre and back poles of all show jumping obstacles including warm-up obstacles. Inclusion of banks ramps and mounds is not recommended. Alternative obstacles are permitted. These jumps are to be marked on the course plan with the same number and with the word “Alternative”
- 3.1 STRAIGHT OBSTACLE. When an obstacle or part of an obstacle comprises several elements placed one above the other and positioned in the same vertical plane (straight obstacle). Only the fall of the top element is penalized.
- 3.2 SPREAD OBSTACLE. When an obstacle which requires only one effort comprises elements which are not positioned in the same vertical plane, the fall of one or several elements only counts as one fault whatever the number and position of the elements which have fallen. Trees, hedges etc. used as filling are not liable for penalties.
- 3.3 COMBINATION OBSTACLES.
- 3.3.1 Double, triple or higher combinations means a collection of two, three or more obstacles with distances between each of 7 m minimum and 12 m maximum and requiring two, three or several successive efforts.
- 3.3.2 The distance is measured from the base of the obstacle on the landing side to the base of the next obstacle on the take-off side.
- 3.3.3 In combinations, each obstacle of the group must be jumped separately and consecutively. Failure to do so incurs elimination. Faults committed at any obstacle of a combination are penalized separately.
- 3.3.4 Penalties for faults made at each element and during different attempts, are counted separately and added together.
- 4. Alternative Obstacles**
- 4.1 Alternative obstacles are permitted. These jumps are to be marked on the course plan with the same number and the word ‘Alternative’. The competitor has the choice of jumping either one of the obstacles.
- 4.2 If there is a refusal or run-out without a knock-down or displacing of the obstacle, at the next attempt the competitor is not obliged to jump the obstacle at which the refusal or run-out occurred. He may jump the obstacle of his choice.
- 4.3 If there is a refusal or run-out with a knock-down or displacing of the obstacle, he may only restart his round when the obstacle knocked down or displaced has been replaced and when the Ground Jury gives him the signal to start. He may then jump the obstacle of his choice.
- 4.4 Red and white flags must be placed at each of the elements of these alternative obstacles.

ARTICLE D317 JUMPING SCORING

1. Faults at obstacles.

- Knocking down an obstacle 4 penalties
- First disobedience 4 penalties
- Second penalised disobedience in the whole test (EV120, EV115, EV110 divisions) Elimination
- Second penalized disobedience in the whole test (EV105, EV100, EV90, EV85 divisions) 8 penalties
- Third penalized disobedience in the whole test (EV105, EV100, EV90, EV85 divisions) Elimination
- First fall of Horse or Competitor Elimination (Art. 320.8.)

2. **Time faults.** Completing the course in less than the time allowed is not rewarded, but exceeding the time allowed is penalized by 0.4 penalty for each second or part of a second in excess of the time allowed, up to the time limit, which is twice the time allowed. Exceeding the time limit incurs elimination.

3. Additional Reasons for Elimination.

- 3.1 Elimination is left to the discretion of the Ground Jury in the following cases:
- 3.1.1 Not entering the arena when the Competitor's number is called (Article D314.2).
 - 3.1.2 Not entering the arena mounted or not leaving the arena mounted (Article D314.3).
 - 3.1.3 Unauthorized assistance (Articles D314.9).
 - 3.1.4 Not stopping when the bell is rung during the test (Articles D314.12).
 - 3.1.5 Jumping, or attempting to jump an obstacle with incorrect headgear or without headgear or with an unfastened retention harness (Article D114.1).
 - 3.1.6 Performing the test with incorrect saddlery, dress or with illegal whip or spurs (Article D114).
- 3.2 Elimination must be applied by the Ground Jury in the following cases:
- 3.2.1 Jumping or attempting to jump an obstacle in the arena before the start of the test (Article D314.11).
 - 3.2.2 Starting before the signal is given and jumping the first obstacle of the course (Article D314.11).
 - 3.2.3 A Horse resisting for 45 consecutive seconds during the test (Article D314.7).
 - 3.2.4 Taking more than 45 seconds to jump an obstacle (Article D314.7).
 - 3.2.5 Omitting to cross the starting and/or finishing lines between the flags (Article D320.1).
 - 3.2.6 Jumping an obstacle that does not form part of the course during the test (Article D320.1).
 - 3.2.7 Omitting to jump an obstacle of the course (Article D320.1).
 - 3.2.8 Jumping an obstacle in the wrong order (Article D320.1).
 - 3.2.9 Jumping an obstacle in the wrong direction (Article D320.1).
 - 3.2.10 Jumping or attempting to jump an obstacle after an interruption without waiting for the bell (Article D314.12).
 - 3.2.11 Not jumping all the fences of a combination again after a disobedience (Article D314.6).

- 3.2.12 Not crossing the finishing line mounted before leaving the arena (Article D314.4).
- 3.2.13 A loose Horse leaving the arena before the end of the test, including before starting (Article D314.4/D314.5), provided the arena is correctly closed in accordance with the Rules.
- 3.2.14 Receiving unauthorized assistance during the test (Article D414.9).
- 3.2.15 Error of course not corrected (Article D320.3.2).
- 3.2.16 Showing an obstacle to the Horse after a refusal and before stepping back to jump it.

ARTICLE D318 TIME

1. **Time of the Round.** The time of the round is the time taken by a Competitor to complete the round, plus any time corrections. It starts at the precise moment the mounted Competitor crosses the start line in the correct direction, providing the starting signal has been given, or if earlier at the moment the 45 seconds countdown after the starting signal expires. It extends to the moment the mounted Competitor crosses the finishing line having jumped the last obstacle. Both these lines must be crossed in the direction indicated on the plan.
2. **Time Allowed.** The length of the course and the speed demanded determine the Time Allowed. The Time Limit is twice the Time Allowed.
3. **Recording Time.** Three watches which can be stopped and restarted without the hand returning to zero must be provided. Two watches are required in case the automatic timing breaks down and one watch to measure the time taken to start after the bell has been rung, disobedience, interruptions, the time taken between two consecutive obstacles and the time-limit for resistance. The President or a member of the Ground Jury must have a stop watch.
4. **Interrupted Time.**
 - 4.1 Judges must take great care that the clock is stopped and restarted in accordance with the conditions for the competition in such a manner that the interrupted time can be subtracted from the total time take for the round.
 - 4.2 While the clock is stopped, the Competitor remains free to move around until the ringing of the bell giving permission to start again. The clock is re-started when the Competitor reaches the place where the clock was stopped. Exception in the case of a disobedience with a knockdown Article D319.1 applies
 - 4.3 The responsibility for starting and stopping the clock rests solely with the Ground Jury (the President or one of the Judges). The timing equipment must be such that this procedure can be followed. The Time Keeper may not be responsible for this function.
 - 4.4 Falls and disobediences during interrupted time.
 - 4.4.1 The time of a round is interrupted only under the provisions of Article D319. The clock is not stopped in the event of a deviation from the course, a run-out or a refusal.
 - 4.4.2 Falls of Horse or Competitor during interrupted time are always penalized.
 - 4.4.3 Disobediences are not penalized during interrupted time.
 - 4.4.4 The provisions concerning elimination remain in force during interrupted time.

ARTICLE D319 TIME CORRECTIONS

1. Knock-downs with Disobediences.

1.1 If, as a result of a disobedience, a Competitor displaces or knocks down an obstacle or in all cases where the nature of the obstacle is changed by knocking down the flag, the bell is rung and the clock is stopped until the obstacle has been rebuilt. When the obstacle has been rebuilt, the bell is rung to indicate that the course is ready and that the Competitor can continue the round. The Competitor is penalized for a refusal and a time correction of 6 seconds is added to the time taken by the Competitor to complete the round. The clock is re-started at the moment when the Horse leaves the ground at the obstacle where the refusal occurred. If a disobedience with a knock-down occurs at the second or subsequent part of a combination the clock is restarted when the Horse leaves the ground at the first element of the combination

2. Stopping during the Round.

- 2.1 In the event of a Competitor not being able to continue the round for any reason or unforeseen circumstance, the bell should be rung to stop the Competitor. As soon as it is evident that the Competitor is stopping, the clock will be stopped. As soon as the course is ready again, the bell will be rung, and the clock will be restarted when the Competitor reaches the precise place where the clock was stopped.
- 2.2 If a Competitor does not stop when the bell is rung, he continues at his own risk, and the clock should not be stopped. The Ground Jury must decide whether the Competitor is to be eliminated for ignoring the order to stop or whether under the circumstances he/she should be allowed to continue. If the Competitor is not eliminated and is allowed to continue the round, the scores obtained at the obstacles preceding and following the order to stop will count whether they are good or bad.
- 2.3 If the Competitor stops voluntarily to signal to the Ground Jury that the obstacle to be jumped is wrongly built or if due to unforeseen circumstances beyond the control of the Competitor, he is prevented from continuing the round under normal circumstances the clock must be stopped immediately.
- 2.3.1 If the dimensions are correct and the obstacle in question has been properly built or if the unforeseen circumstances are not accepted as such by the Ground Jury, the Competitor will be penalized as for stopping during the round and the time of the round will be increased by six (6) seconds.
- 2.3.2 If the obstacle or part of the obstacle needs to be rebuilt or if the unforeseen circumstances are accepted as such by the Ground Jury, the Competitor is not penalized. The time of the interruption must be deducted and the clock stopped until the moment when the Competitor takes up the track at the point where he stopped. Any delay incurred by the Competitor must be taken into consideration and an appropriate number of seconds deducted from the recorded time.

ARTICLE D320 DEFINITION OF FAULTS

1. Knockdown.

1.1 An obstacle is considered to have been knocked down when, through a mistake of the Horse or Competitor:

- 1.1.1 The whole or any upper part of the same vertical plane of it falls, even if the part which falls is arrested in its fall by any other part of the obstacle;
- 1.1.2 At least one of its ends no longer rests on any part of its support;
- 1.1.3 Any arrangement intended to maintain the stability of the obstacle and forming an integral part of its support falls.
- 1.2 Penalties for knocking down an obstacle are those provided for under Article D317.
- 1.3 If any part of an obstacle, which has been knocked down is likely to impede a Competitor in jumping another obstacle, the bell must be rung and the clock stopped while this part is picked up and the way is cleared.
- 1.4 If a Competitor jumps an obstacle correctly which has been improperly rebuilt, he incurs no penalty; but if he knocks down this obstacle he will be penalized in accordance with Article D317.
- 1.5 If any obstacle of the course, which has been struck by the Horse or by the Competitor when jumping it, reaches the ground after the finishing line has been crossed, the Competitor is not penalized. But if this obstacle (single or combination) is the last on the course and if it starts to fall before the Competitor has crossed the finishing line, it counts as a fault, even if the obstacle reaches the ground after the finishing line has been crossed. However, it does not count as a fault when the obstacle reaches the ground after the Competitor has left the arena.

2. Disobediences.

- 2.1 The following are considered as disobediences and are penalized as such (Article D317):
 - 2.1.1 a refusal
 - 2.1.2 a run-out
 - 2.1.3 a resistance
 - 2.1.4 a more or less regular circle or group of circles no matter where they occur on the course or for whatever reason
- 2.2 Notwithstanding the above, the following is not considered to be a disobedience:
 - circling for up to 45 seconds after a run-out or a refusal (no matter the obstacle has to be rebuilt or not) to get into position to jump an obstacle

3. Error of Course.

- 3.1 It is considered an Error of Course when the Competitor:
 - 3.1.1 does not follow the course as set out on the published plan
 - 3.1.2 does not cross the starting line or the finishing line between the flags in the correct direction
 - 3.1.3 omits a compulsory turning point
 - 3.1.4 does not jump the obstacles in the order or in the direction indicated
 - 3.1.5 jumps or attempts to jump an obstacle which do not form part of the course or omits an obstacle. Obstacles not included in the course should be crossed off but failure to do so by the arena party will not preclude the elimination of a Competitor for jumping an obstacle not forming part of the course.
- 3.2 An Error of Course not corrected incurs elimination.

4. Refusal.

- 4.1 It is a refusal when a Horse halts in front of an obstacle which it must jump whether or not the Horse knocks it down or displaces it.

- 4.2 Stopping in front of an obstacle without knocking it down and without moving backwards followed immediately by a standing jump is not penalized.
- 4.3 If the halt is prolonged, if the Horse steps back, either voluntarily or not, even a single pace, it counts as a refusal.
- 4.4 If a Horse slides through an obstacle, the Judge must decide immediately if it is to count as disobedience or as an obstacle knocked down. If he decides that it is a disobedience, the bell is rung at once and the Competitor must be ready to attempt the obstacle again as soon as it has been rebuilt. If the Judge decides that it is not a disobedience the bell is not rung and Competitor must continue the round. He is then penalized as for an obstacle knocked down. If the bell has been rung and the Competitor jumps other elements of the combination in his stride, it does not entail elimination or any further penalty should he knock down this part of the combination.
- 5. Run Out.** It is a run out when the Horse escapes the control of its rider and avoids an obstacle which it has to jump.
- 5.1 When a Horse jumps an obstacle between two red flags or between two white flags the obstacle has not been jumped correctly. The Competitor is penalized as for a run-out and he must jump the obstacle again correctly
- 5.2 It is considered to be a run-out and is penalized as such for a Horse or any part of a Horse to go past the extended line of an obstacle to be jumped , or of an element of a combination, or of the finishing line or of a compulsory turning point.
- 5.3 It is considered to be a run out and is penalized as such for a Horse or any part of a Horse to go past the extended line of an obstacle to be jumped , or of an element of a combination , or of the finishing line or of a compulsory turning point.
- 6. Resistance**
- 6.1 It is a resistance when the Horse refuses to go forward, makes a halt for any reason, makes one or several more or less regular or complete half turns, rears or steps back for whatever reason.
- 6.2 It is equally a resistance when the Competitor stops his Horse at any moment and for any reason, except in the event of an incorrectly built obstacle or to indicate unforeseen circumstances to the Ground Jury. A resistance is penalized as for a refusal except in the circumstance laid out in Article D317 paragraph 3.2.3.
- 7. Fall.**
- 7.1 **FALL OF COMPETITOR.** A Competitor is considered to have fallen when he is separated from the Horse in such a way as to necessitate remounting or vaulting into the saddle.
- 7.2 **FALL OF HORSE.** A Horse is considered to have fallen when at the same time; both the shoulder and quarters have touched either the ground or the obstacle and the ground or the obstacle and the ground or when it is trapped in a fence in such a way that it is unable to proceed without assistance or its liable to injure itself.
- 7.3 Any fall of Horse or Competitor in the competition arena incurs elimination. Exception: A fall after the finish line:
A fall that occurs after the finish line off does not eliminate the entry. However, the Competitor must be cleared by the competition's medical staff before continuing to the next test in the competition.

CHAPTER 4 THREE DAY EVENTS

ARTICLE D401 INTRODUCTION

1. Three Day Events are comprised of three distinct tests usually taking place on three days during which a Competitor rides the same Horse throughout.
 - 1.1 A Dressage Test.
 - 1.2 A Cross Country Test
 - 1.3 A Jumping Test.
2. The tests must be conducted in the order listed.

ARTICLE D402 LEVELS OF THREE-DAY EVENTS

The following levels of competition may be offered at a Three Day Event: EV120, EV115, EV110. Three Day Events may be held as nationally sanctioned (Equestrian Canada – Gold) Three Day Events or Internationally Sanctioned (FEI) Three Day Events.

ARTICLE D403 THREE-DAY EVENT RULES

1. **International (FEI) Three-Day Events.** These competitions are conducted strictly in accordance with FEI Rules for Three Day Events, the FEI General Regulations and the FEI Veterinary Regulations.
2. **National (Equestrian Canada Gold) Three Day Events.** These competitions are conducted in accordance with the FEI Rules for Three-Day Events (but not the FEI General Regulations or Veterinary Regulations), together with the rules in this book and the exceptions noted in paragraph 3 below. Where there is an inconsistency between the rules in this book and the FEI Rules for Three-Day Events, the latter will prevail.
3. **Exceptions to FEI Rules for National (Equestrian Canada Gold) Three Day Events.**
 - 3.1 OFFICIALS – the Ground Jury, Technical Delegate, Course Designer, Veterinary commission and any other judges or officials of a nationally sanctioned Three Day event shall be appointed in accordance with Chapter Five of these rules.
 - 3.2 NATIONAL AND INTERNATIONAL COMPETITIONS AT THE SAME EVENT – The International Ground Jury, Judges and Technical Delegate may be used for the National competition. The same Course Designer and Veterinary Commission may be used for both competitions.
 - 3.3 APPROVAL – All Three Day Events, including International and National Three Day Events must be approved by the Equestrian Canada Eventing Committee. Specifically, this approval shall include the date and site of the Event. For proposed new Three Day Events, additional information may be requested.
 - 3.4 MEDICAL ARRANGEMENTS IN CASE OF ACCIDENTS – Three Day Events. It is mandatory to have Advanced Life support (ACLS certified) trained and equipped personnel on site for both the Cross Country and the Jumping tests. Radio communication is to be made available to alert emergency services immediately.
 - 3.5 EQUINE MEDICATION CONTROL must be conducted in accordance with Equestrian Canada Regulations (Article D110). It is to be noted for this purpose

that the Dressage Test of an Event is not to be considered as a dressage competition.

- 3.6 INQUIRIES, PROTESTS AND APPEALS will be conducted according to Article D117.
- 3.7 PROTECTIVE HEADGEAR REGULATION Article D114 will be enforced at all EC sanctioned Three-Day Events.

CHAPTER 5 OFFICIALS

ARTICLE D501 GROUND JURY

1. Appointment of Officials

Officials will be appointed by the Organizing Committee according to the different types and level of competitions and in accordance with the following tables:

| Category: | <i>Horse Trials Bronze</i> | <i>Horse Trials Silver</i> | <i>Horse Trials Gold</i> |
|--|--|---|---|
| Ground Jury | Two members President and member – strongly recommended be EC Eventing licensed officials but can be EC gold or platinum licence holders | Two members President and member from FEI or EC officials lists Three Day Event, Dressage or Jumper or Eventing Jumper Judge or Steward or Technical Delegate | |
| Technical Delegate (Art D504) | From Equestrian Canada Level 1, 2 or 3 list or FEI Eventing Technical Delegate (TD) lists | EV 105 – From Equestrian Canada Level 2, 3 or FEI TD lists | EV110 – From Equestrian Canada Level 2, 3 or FEI TD lists EV115 – From Equestrian Canada Level 3 or FEI TD lists EV120 – From FEI TD lists |
| Dressage Judges (Art D502/503) | Strongly recommended from EC Dressage or Three Day Event licensed or “trained” judge lists or FEI but may be EC gold or platinum licence holders | From EC ‘r’ ‘B’ ‘M’ or ‘S’ Dressage Judge or above or Level 1 ,2 or 3 Three Day Event Judge or FEI Dressage or Eventing Judge lists | EV110 & EV115 – from EC ‘r’ “B” ‘M’ or “S” Dressage Judge or above or Level 2 or 3 Three Day Event Judge or FEI Dressage or Eventing judge lists EV120 – at least one EC ‘B’ Dressage Judge or above or Level 3 Three Day Event Judge |

| Category: | <i>Horse Trials Bronze</i> | <i>Horse Trials Silver</i> | <i>Horse Trials Gold</i> |
|---|---|--|--|
| Jumping Test Judge (Art D 502/503) | Strongly recommended from EC /FEI Jumping or Eventing judge, or EC Eventing Jumper Judge lists but may be EC gold or platinum licence holders | From EC ‘r’ or ‘S’ Jumper Judge or Level 1, 2 or 3 Three Day Event Judge or EC Eventing Jumper Judge or FEI Eventing or Jumper judge lists | |
| Steward (Art D508.1) | Strongly recommended - minimum of one from EC or FEI licensed Stewards list | | |
| Cross Country Course Designer (Art D 506) | From Equestrian Canada licensed Level 1, 2, or 3 or FEI Eventing Course Designer or ” In Training “ CD lists | EV 105 -from Equestrian Canada Level 2, 3 licensed or” In Training “ lists or FEI Eventing CD lists | EV110- from Equestrian Canada Level 2, 3 licensed or ” In Training “ lists or FEI Eventing CD lists EV115 & EV120 - from EC Level 3 licensed or ” In Training” or FEI Eventing CD lists |
| Jumping Course Designer (Art D506.3.3) | Recommended - from EC or FEI Jumping CD lists | | |
| Veterinari an (D507) | Strongly recommended on grounds during cross country and show jumping | | |

Notes:

1. At Equestrian Canada silver and gold sanctioned competitions, individuals serving on the Ground Jury who are not licensed judges may not judge the Dressage or Jumping tests. In these cases, the Organizing Committee must appoint additional judges in accordance with Articles D502 and D503 to judge the relevant tests.
1. It is strongly recommended that Organizers holding Equestrian Canada Bronze sanctioned competitions use EC Officials to comprise the Ground Jury and to judge the dressage and show jumping tests.
3. Ground Juries of FEI sanctioned divisions must be appointed in accordance with FEI regulations and must be selected from the list of FEI Eventing Judges and/or National Eventing Judges of the appropriate level.
4. At Equestrian Canada sanctioned Three Day Events the Organizing Committee must select the President and two Ground Jury members from the list of EC or FEI Three Day Event or Dressage or Jumper Judges of the appropriate level.

2. Restrictions.

- 2.1 The following may not serve as a Judge in a particular division:
 - 2.1.1 The Chairman of the Organizing Committee / Event Director/Organizer of the event.
 - 2.1.2 A Competitor entered in that division.
 - 2.1.3 A member of the family of those mentioned in ArtD2.1.1 and D2.1.2 above. For definition of this, see Rules of Equestrian Canada, Section A, Glossary.
 - 2.1.4 At the National Championships only, an individual who has instructed or coached any Competitor with or without pay within six months of the date of the event, except as part of an instructional clinic of three days or less duration.
- 2.2 The following may not serve on the Ground Jury at an event (in addition to the above):
 - 2.2.1 The Chairman of the organizing committee of the event.
 - 2.2.2 The Technical Delegate of the same event.
 - 2.2.3 The Cross Country or Jumping Test Course Designer of the same event.
 - 2.2.4 A member of the Appeal Committee of the same event.

3. Duties and Responsibilities.

- 3.1 At Horse Trials, the President of the Ground Jury together with the Technical Delegate, Course Designer and Organizing Committee shall endeavour to ensure that all arrangements for the event including the arenas, courses and obstacles are appropriate. If after consultation with the Technical Delegate, the Ground Jury is not satisfied with the arrangements or courses, it is authorized to modify them.
- 3.2 At Horse Trials the President of the Ground Jury or a member of the Ground Jury designated by the President shall inspect the cross country and jumping test courses.
- 3.3 The Ground Jury will judge the Dressage Test provided that the members are accredited in accordance with the rules as defined in Article D502.1. Additional judges may be appointed by the Organizing Committee in accordance with the rules as defined in Article D502.1 additional judges are appointed, the Ground Jury will still be responsible for all decisions.
- 3.4 At Horse Trials, The Ground Jury or the Technical Delegate, if the former is involved with the judging of the Dressage or Jumping Tests, will be responsible for the judging and timekeeping of the Cross Country Test. One of them must be in contact with or at the control centre to adjudicate on unforeseen eventualities.
- 3.5 The Ground Jury will be responsible for determining objections or appeals against decisions by technical personnel, including obstacle judges and timekeepers, on the Cross Country Test and may substitute their judgment for that of any judge or official, whether in favour of the Competitor or not.
- 3.6 The Ground Jury will be responsible for the judging of the Jumping Test. This duty may be delegated to an additional judge or panel of judges appointed by the Organizing Committee in accordance with the rules as defined in Article D502.2 but the Ground Jury will remain responsible for all decisions.
- 3.7 Any member of the Ground Jury shall have the duty and full authority at any time during the Event to eliminate from the event any Horse that is lame, sick

or exhausted and any rider that is unfit to continue and to take action in cases of dangerous riding. There is no appeal against such a decision.

4. Jurisdiction of the Ground Jury.

- 4.1 At Horse Trials the jurisdiction of the Ground Jury begins with the first Competitor in the Dressage Test or the First Horse Inspection if held.
- 4.2 The members of the Ground Jury must be present on the competition site at least one hour before the start of the competition and are obliged to remain on the grounds until the end of the time limit for objections at the end of each test or the posting of the final results.

ARTICLE D502 JUDGING OF THE DRESSAGE AND JUMPING TESTS

1. Dressage Test.

- 1.1 QUALIFICATIONS: Judges must be selected in accordance with Art D 501.1
- 1.2 At Three Day Events and at all championships a minimum of two judges must be used to judge the dressage test. At Horse Trials, other than championships, one judge may be used.
- 1.3 At Horse Trials a dressage judge cannot be asked to mark more than sixty (60) entries in a single day.
- 1.4 Provisions for Test Ride: If there is more than one judge it is desirable that, before the dressage test, a Horse and rider which are not competing in the competition be placed at the disposal of the officiating judges so that they can discuss together and come to an agreement on their personal appreciation. Provision of such a Horse and rider is obligatory at championship events. Horse and rider must be representative of the competition level.

2. Jumping Test.

QUALIFICATIONS: Judges or judging panel must be selected in accordance with Art D 501.1

ARTICLE D503 ADDITIONAL JUDGES

Additional Judges may be appointed by the Organizing Committee to judge the Dressage or Jumping Tests. These judges must be selected from the list of FEI or EC Officials and are subject to the qualifications and restrictions outlined in Article D501.

ARTICLE D504 TECHNICAL DELEGATE

1. Qualifications.

- 1.1 For all Equestrian Canada Eventing competitions, the Technical Delegate will be selected from the current directory of EC or FEI Eventing Technical Delegates.
 - 1.1.1 For EV100, EV90 and EV85 Horse Trials, the Technical Delegate must be an EC Level 1 (recorded) Technical Delegate or above.
 - 1.1.2 For EV105 and EV110 Horse Trials, the Technical Delegate must be EC Level 2 (junior) Technical Delegate or above.
 - 1.1.3 For EV115 Horse Trials and Three-Day Events the Technical Delegate must be an EC Level 3 (senior) Technical Delegate or above.
 - 1.1.4 For EV120 Horse Trials and Three-Day Events the Technical Delegate must be a FEI Technical Delegate.
- 1.2 The Technical Delegate for National Championships must be EC Level 3 or FEI Technical Delegate and must be approved by the EC Eventing Committee.

2. Duties and Responsibilities.

- 2.1 The Technical Delegate will approve the technical and administrative arrangements for the conduct of the event; for the examinations and inspections of Horses where appropriate, for accommodation of Horses and riders where appropriate and for the stewarding of the event.
- 2.2 The Technical Delegate will verify that the competition timetable, prepared by the competition organizer is appropriate according to Art D 106.2. The Technical Delegate may consult the President of the Ground Jury in this process.
- 2.3 The Technical Delegate will inspect and approve the arenas and courses for exercising, warm-up and competition for all three tests, including the type and dimensions of the obstacles, with particular reference to their suitability for the divisions of the competition. He/she must be able to inspect early enough to allow for modifications to be made. He/she may request one or more non-competition Horses to try out any part of the arenas or courses or any obstacles.
- 2.4 The Technical Delegate will supervise the briefing and conduct of all technical personnel including jump judges and timekeepers.
- 2.5 The Technical Delegate will investigate all enquiries regarding scoring, including penalties awarded and will advise the Ground Jury on any decisions they are required to make.
- 2.6 Until he/she has reported to the Ground Jury that he/she is satisfied with all the arrangements, the authority of the Technical Delegate is absolute. Thereafter he/she will continue to supervise the technical and administrative conduct of the event and will advise and assist the Ground Jury, Veterinary Commission and Organizing Committee.
- 2.7 At Horse Trials, the Technical Delegate may need to serve in place of the Ground Jury during the Cross Country test (see Article D501.3.4).
- 2.8 The Technical Delegate is empowered by the National Federation to downgrade a competition to a lower level or to withdraw the recognition of a competition where circumstances warrant and the Organizing Committee is obliged to carry out the Technical Delegate's instructions regarding the course(s) and technical aspects of the competition.
- 2.9 The Technical Delegate will protect the interests of the Competitors, judges and the event organizers.
- 2.10 The Technical Delegate will complete and file with Equestrian Canada National Federation office within three days of the completion of the event the EC Eventing Technical Delegate Competition Report. The Competition Report will include a record of all disputes and how adjudicated.

3. Restrictions.

- 3.1 The following may not act as the Technical Delegate at an event:
 - 3.1.1 A Competitor entered in the event.
 - 3.1.2 A member of the Ground Jury of the event.
 - 3.1.3 The Organizer/Director of the event or a member of the Organizer/Director's immediate family.
 - 3.1.4 The course designer and/or head course builder for the event.
- 3.2 No Technical Delegate may officiate at the same event more than two (2) consecutive events unless exemption has been approved by Equestrian Canada. Request for exemption must be submitted to Equestrian Canada by November 1st of the year prior to the competition.

ARTICLE D505 APPRENTICE/ASSISTANT TECHNICAL DELEGATE

An Apprentice or Assistant Technical Delegate serves in an educational capacity only and does not have jurisdiction other than those assigned by the official Technical Delegate of the competition.

Organizing Committees of events with large numbers of Competitors are strongly encouraged to secure the services of an Assistant Technical Delegate. Organizing Committees are however, not responsible for any costs related to the Assistant.

ARTICLE D506 COURSE DESIGNER

- 1. Qualifications:** The Course Designer must be selected from the current list of accredited Equestrian Canada Eventing Course Designers in accordance with Art D 501.

An individual recognized by the FEI or another National Federation may serve as the course designer for a specific competition with the approval of Equestrian Canada.

A Level 1 Eventing Course Designer may design cross country courses up to and including the Equestrian Canada EV100 Horse trials division.

A Level 2 Eventing Course Designer may design cross country courses up to and including the Equestrian Canada EV110 Horse trials division and FEI CCI 2*-S (short format) division.

A Level 3 Eventing Course Designer may design cross country courses up to and including the Equestrian Canada EV120 Horse trials division and FEI Sanctioned CCI 3*- S* (short format) and CCI 2* - L (long format) divisions.

- 2. Appointment.** The Course Designer, appointed by the Organizing Committee.
- 3. Duties.**
 - 3.1.** The Course Designer is responsible for the layout, measurement, preparation and marking of the route for all phases of the Cross Country test of Horse Trials and Events. The Course Designer is responsible for the design, construction and marking of all the obstacles used in the Test. on Phase B (when applicable) and Phase D.
 - 3.2.** In order to fulfill the responsibilities noted above, the Course Designer must visit the site and review change to the courses or obstacles at least once within 12 months of a competition. The designer should be present during the competition but this is not mandatory.
 - 3.3.** The Course Designer is ultimately responsible for the layout, design and construction of the Jumping Test. This duty may be delegated to a jumping course designer but the Eventing course designer should ensure that the course is suitable.
- 4. Restrictions:**

The following may not act as the Course Designer at an event

 - 4.1 The Technical Delegate of the event
 - 4.2 A member of the Ground Jury of the event
 - 4.3 The Equestrian Canada Steward of the event
 - 4.4 A member of the Appeal Committee of the event
- 5. Clarifications:**
 - 5.1** The Course Designer may compete in a competition for which he is listed as the Course designer.

- 5.2 The organizer or a member of the organizer's family may serve as the Course Designer

ARTICLE D507 VETERINARIAN

1. Duties.

- 1.1 At Horse Trials, it is strongly recommended that a Veterinary Delegate appointed by the Organizing Committee be present on the grounds during the Cross Country and Jumping Tests. The Veterinary Delegate will be responsible for carrying out the Inspection and Examination of Horses in accordance with Article D110.
- 1.2 At Three-Day Events a Veterinary Commission must be appointed according to FEI Rules For Eventing.

ARTICLE D508 ADDITIONAL OFFICIALS

1. **Stewards.** It is most important that regulations concerning drugging, cruelty, rapping, whips and spurs are properly enforced. Organizers should appoint an appropriate number of stewards with access during the competition to all areas under the control of the Organizing Committee. The duties of the stewards shall include rule enforcement of the dress and saddlery requirements in accordance with Articles D114 and D115 and rule enforcement of the exercising and warming-up arenas in accordance with Article D107. These Stewards are responsible to the Technical Delegate. All irregularities shall be reported to the Ground Jury.

Stewards may be selected from the current roster of accredited EC Stewards or individuals who have knowledge of the rules for the sport of eventing. It is strongly recommended that an Equestrian Canada licensed Steward officiates at all eventing competitions, particularly those hosting a EV110 division and above

2. **Officials at obstacles and stopping points. Jump Judges, Area and Stopping Stewards etc.** One or more officials who are responsible for scoring pertinent rule enforcement and emergencies at their obstacle(s) may be stationed near each obstacle and compulsory passage. They may be authorized to cover more than one obstacle or compulsory passage with the approval of the Technical Delegate. If appropriate, stopping points may also be designated. One or more officials must be stationed at these points as well.
3. **Timekeepers.** As timing plays such an important part in the competition, Organizers must ensure that each Competitor's starting and finishing times are accurately taken and recorded by knowledgeable persons.
4. **Cross Country Controller.** It is strongly recommended that each organizer particularly those hosting significant number of Competitors, appoint an experienced person as the designated "Cross Country Controller". The Controller will require some assistants to monitor the radios etc. The Controller's task is to devise with the OC a communication plan for the cross country test, know exactly where every Horse is on cross country, decide when the start of Phase D must be held due to a blockage on the course, decide when Horses on Phase D must be held, deploy the emergency services, liaise with the Ground Jury and the TD and advise when any situation is developing, adjust timetables if necessary.

5. **Incident Coordinator:** It is strongly recommended that each organizer appoint an Incident Coordinator to coordinate emergency responses during a competition. This person is not a medical officer and should not participate directly in providing emergency care but rather should arrange for and facilitate the response by appropriate personnel and then record and document the incident. The Incident Coordinator is responsible for the preparation and distribution of the Safety Plan (SEE Art D 113) and may assist the Technical Delegate in the completion and collection of Fall Report Forms

ANNEXES

ANNEX 1: SPECIFICATIONS FOR LEVELS OF HORSE TRIALS

1. EV85 DIVISION

- 1.1 The EV85 level is designed to introduce green Horses and riders to Horse Trials combining dressage, cross country and jumping tests. It is designed for Competitors and Horses that have already had experience at schooling competitions in all three disciplines. The entire experience should be safe, inviting and educational to build confidence and a desire to progress.
- 1.2 The EV85 division must be conducted as an EC Bronze competition. An EC accredited Technical Delegate is obligatory.
- 1.3. The EV85 division should be listed in the Equestrian Canada Eventing Omnibus with other divisions.
- 1.4 EV85 is open to Horses of four years of age and up and riders of all ages.
- 1.5 **Description of the Tests.**
 - 1.5.1 Dressage Test – Competitors should be prepared to do a walk, trot and canter dressage test with 20 meter figures and a halt.
 - 1.5.2 The Cross Country Course- The cross country course should include a variety of introductory straight forward obstacles including a bank up, a ditch, a brush and possibly an inviting water crossing or possibly an inviting down bank. One combination of a minimum of two strides between the two lettered (A, B) related obstacles is permitted..

The obstacles shall be designed to be within the limits of the specifications and dimensions and speed defined in Annex 6 & 7. The fences shall be simple, straight forward, clear in definition, solid in appearance, with true ground lines and inviting to jump.

 - All straight forward fences should be built to the height of the level being jumped.
 - Using different shades of colours or clearly differentiated colours is recommended. Avoid optical illusions and also avoid reflective materials / gloss paint / shiny varnishes.
 - Capping and revetting of banks and ditches is obligatory
 - Approaches to obstacles should be on flat or gently rising terrain.
 - Corner fences or bounce fences are not permitted
 - Two sets of related fences of a minimum of 2 strides (10 metres) (of the simple variety) are permitted.
 - Water may be flagged on the exit side only with no jumping effort permitted entry or exit. A simple obstacle after the water is permitted providing it is situated not less than 4- 5 strides after the water exit flags. An option to the flagged water crossing is mandatory. Recommended depth 10-15 cm, not to exceed 30 cm.
 - Ditches – A shallow ditch is permitted. The take off must be well defined and the obstacle clearly visible as a ditch.
 - Banks – A Bank Up (minimum 2 strides) is permitted
 - Drops – No obstacle of any height may precede the drop.
 - 1.5.3 The Jumping Test – The Jumping course should be inviting and straightforward and shall be designed within the specifications and

dimensions and speed identified in Annex 6 & 7. The course shall include a variety of straight and spread obstacles with true ground lines and may include one double combination of two strides (10 meters).

- 1.6 **Excessive Speed Penalty** – cross country (Phase D) Each commenced second under the Speed Fault Time per Article D311.1.5.

2. **EV90 DIVISION**

- 2.1 The EV90 division is a continuation of the introduction to Horse Trials. It is designed for Competitors and Horses with some experience at lower levels or for experienced riders with Horses new to the sport.
- 2.2 The EV90 division must be conducted as an EC Bronze competition. An EC accredited Technical Delegate is obligatory.
- 2.3 The EV90 division may be listed in the Equestrian Canada Eventing Omnibus with other divisions.
- 2.4 The EV90 division is open to Horses of four years of age and up and riders of all ages.

2.5 **Description of the Tests.**

2.5.1 Dressage Test -The dressage will not differ greatly from the EV85 Division and may include the working gaits (walk, trot and canter).

2.5.2 The Cross Country Course Directives -The Cross Country Course will invite bold, forward movement involving galloping, balance and rhythm and jumping out of stride without encouraging excessive speed. It shall be designed within the limits of the specifications and dimensions and speed defined in Annex 6 & 7. The obstacles shall be more substantial, but remain simple, straight forward, clear in definition with true ground lines and inviting to jump. Obstacles may include a drop, a combination and a simple obstacle out of water. At such water obstacles the exit may be beached or revetted.

- All straight forward fences should be built to the height of the level being jumped.
- Using different shades of colours or clearly differentiated colours is recommended. Avoid optical illusions and also avoid reflective materials / gloss paint / shiny varnishes.
- Bounce fences are not permitted.
- Corner fences are permitted with the following specifications:
 - minimum face of 12'
 - maximum angle of 30 degrees
 - to be boarded in
 - top spread not to exceed 3' 3" at widest point
- Steep downhill approaches to fences are not recommended.
- Two sets of combination fences of 1 to 3 strides (of the simple variety) are permitted. 1 stride combinations must have an option.
- Simple banks and steps (minimum 1 stride) are recommended.
- Water may be flagged on the exit side only and the only jumping effort permitted is one at the exit from the water. Recommended depth 10-15 cm, not to exceed 30 cm. Height of obstacle out of water 0.61 m.
- One stride steps do not need an option, but one stride combination does need an option

- Ditches – Normally a ditch should be revetted on the take off side only. However under certain conditions (i.e. sandy soil) it is both necessary and safer to revet both sides of a ditch. Under any conditions take off must be well defined and the obstacle clearly visible as a ditch.
- Drops – No obstacle of any height may precede the drop.

2.5.3 The Jumping Test shall be designed within the specifications and dimensions and speed identified in Annex 6 & 7 and with flow without undue twists and turns and shall include a variety of straight and spread obstacles with true ground lines. One combination with two jumping efforts is permitted.

2.6 **Excessive Speed Penalty** – Cross country (Phase D). Each commenced second under the Speed Fault Time per Article D311.1.5.

3. **EV100 DIVISION**

3.1 The EV100 Division is an examination of Competitors and Horses with some experience and training. The dressage test may ask for further development of the basic gaits including introductory lateral work (leg yield), lengthening at the trot and canter as well 10 meter trot and 15 meter canter figures.

3.2. EV100 division must be conducted as EC Silver competition. An EC accredited Technical Delegate and judges are obligatory.

3.3 The EV100 Division is open to Horses four years of age and up. A Competitor may compete in the EV100 division from the beginning of the calendar year in which he/she reaches the age of 12.

3.4 **Cross Country Course Directives**

The Cross Country course shall be designed within the limits of the specifications and dimensions and speed defined in Annex 6 & 7 and should reflect a progressive step of greater technical difficulty from the EV90 level while remaining simple and straight forward and positive in nature. The cross country should include obstacles formed of two or possibly three elements involving the previously introduced banks, drops and ditches. Jumps into and out of water and narrow fences should be introduced. It should remain a learning, confidence building experience.

- All straight forward fences should be built to the height of the level being jumped.
- Using different shades of colours or clearly differentiated colours is recommended. Avoid optical illusions and also avoid reflective materials / gloss paint / shiny varnishes.
- Capping and revetting of banks and ditches is obligatory
- A maximum of two, one stride combinations are permitted. These combinations must be open and have an alternative route. One stride steps do not need an option (max 3 steps).
- Bounces are not permitted.
- Corner obstacles are permitted providing that construction is as follows:
 - A corner top must be planked
 - The face of the obstacle is ascending and is solid in appearance.
 - Fences must be constructed in such a way that the part that should not be jumped by a Competitor cannot be jumped.

- A EV100 division corner does not require an alternative but if one is offered it should have the same dimensions as a corner for the EV90 Division.
- Water – A drop into water is permitted providing that it is revetted and it is strongly recommended that there is a solid half round log secured to the revetment intended to facilitate the jumping of the obstacle. This log may not exceed 0.50 m in height. Depth of water – recommend 15-20 cm. Not to exceed 30 cm.
- Drops – only 1 drop of maximum height is permitted per course.
- Steps – a series of simple steps is permitted. The height of the step may not exceed 0.91m
- Hollow (Coffin) or half Hollow (coffin) is permitted providing that it is a minimum of 2 strides at the entrance.

3.5 Excessive Speed Penalty on Cross Country – Each commenced second under the Speed Fault Time per Article D311.1.5.

4. EV105 DIVISION

- 4.1 The EV105 Division is for Competitors and Horses in a regular training program with the intent of progressing to the FEI CCI 1* and EV110_level
- 4.2. The EV105 division shall be conducted as EC Silver competition. An EC Eventing accredited Eventing Level 2 or above Technical Delegate and Course Designer are obligatory.
- 4.3 The EV105 division is open to Horses four years of age and up. Competitors may compete in the EV105 division from the beginning of the calendar year in which they reach the age of 12.
- 4.4 Cross country Course Directives
 - The Cross Country course shall be designed within the limits of the specifications, dimensions and speed defined in Annex 6 & 7.
 - The cross country course should introduce tests of accuracy, agility and boldness control and judgement and jumping ability.
 - Combinations should be more complex then training but still be obvious and inviting to the horse.
 - Obstacles should now involve angled lines, corners varied terrain and combinations with water or narrow fences.

4.5 Jumping Test Directives

The show jumping course shall be designed within the limits of the specifications, dimensions and speed defined in Annex 6 and shall include two doubles or one double and a triple combination.

5. EV110 DIVISION

- 5.1 The EV110 division is an examination of Competitors and Horses in a regular training program preparing for One Star Events. The dressage test may include medium paces at the trot and canter as well as the introduction of shoulder-in, rein back and simple changes of lead through the trot or walk.
- 5.2 The EV110 Horse Trials division is open to Horses of five years of age and up. A Competitor may compete in the EV110 division from the beginning of the calendar year in which he/she reaches the age of 14

5.3 The EV110 Horse Trials division may be divided into Senior and Young/Junior Rider Divisions.

5.4 EV110 Horse Trials must be conducted as an EC Gold Competition.

5.5 **Cross Country Course Directives:**

The Cross Country course shall be designed within the limits of the specifications and dimensions and speed defined in Annex 6 & 7. The cross country should include tests of accuracy, agility, boldness, control judgment and jumping ability. Obstacles may now include angled lines, corners, simple bounces, slopes, and combinations involving water or narrow fences.

- All straight forward fences should be built to the height of the level being jumped.
- Using different shades of colours or clearly differentiated colours is recommended. Avoid optical illusions and also avoid reflective materials / gloss paint / shiny varnishes.
- Capping and revetting of banks and ditches is obligatory
- Bounce combinations are permitted provided that they follow these guidelines:
 - Must not be built on downhill slopes or down steps
 - An alternative route must be provided. It is recommended that only the 'B' element be black flagged.
 - Double bounce combinations are not permitted
 - Bounce combinations into water not permitted.
 - No bounce should encourage or require either or both elements to be jumped at more than a very slight angle.
 - On approaching the obstacle, the total question should be clear to the Horse to help it assess the problem. Since bounces by definition have two elements very close together, it is especially important to be able to distinguish the elements. In many cases (depending of course on siting, materials etc.) this will mean that the two elements should be of different materials and/or colour and/ or shape.
 - The profile of the elements of a bounce should be as "forgiving" as practical. In particular, the top should be rounded and/or the face should be sloping (or both). Massive logs, rounded topped "log piles" etc. are ideal.
 - No element of a bounce should involve a significant spread (ie oxer).
- Hollow (Coffin) permitted – 1 stride acceptable.
- Corner obstacles are permitted providing that construction is as follows:
 - A single back rail is used which is clearly higher than the front rail.
 - Closed in 'solid top' corners are recommended where there is limited reaction time, ie after a step or ditch or shortly after the crest of a hill.
 - Constructed in such a way that the part that should not be jumped by a Competitor cannot be jumped
- Water – Depth at entry or exit and track between recommended 10-15 cm but not to exceed 0.30m.

6. EV115 DIVISION

6.1 The EV115 division is an examination of increasing technical difficulty, preparing the Competitors and Horses for Two Star Events. The dressage test

may now include canter to halt transitions as well as collected trot and canter, half - pirouettes, and counter-canter.

6.2 The EV115 division is open to Horses five years of age and up. A Competitor may compete in the EV115 division from the beginning of the calendar year in which he/she reaches the age of 16.

6.3 The EV115 division may be divided into Senior and Young Rider divisions.

6.4 EV115 Horse Trials must be conducted as an EC Gold Competition.

6.5 **Cross Country Directives**

The CrossCountry course shall be designed within the limits of the specifications and dimensions and speed defined in Annex 6 & 7. The cross country course should now combine, in more elaborate settings, the tests introduced at the EV110 level such as combinations with more than one question to be solved. Obstacles to be expected include banks, ditches or water with narrow elements, a bounce combined with other elements or corners in a combination.

Bounce combinations are permitted provided that they follow these guidelines:

- Downhill bounce combinations may be permitted
- An alternative route must be provided.
- Double bounce combinations are permitted.
- Bounce combinations into water are permitted.
- No bounce should encourage or require either or both elements to be jumped at more than a very slight angle.
- On approaching the obstacle, the total question should be clear to the Horse to help it assess the problem. Since bounces by definition have two elements very close together, it is especially important to be able to distinguish the elements. In many cases (depending of course on siting, materials etc.) this will mean that the two elements should be of different materials and/or colour and/ or shape.
- The profile of the elements of a bounce should be as "forgiving" as practical. In particular, the top should be rounded and/or the face should be sloping (or both). Massive logs, rounded topped "log piles" etc. are ideal.
- No element of a bounce should involve a significant spread (ie oxer).

7. **EV120 DIVISION**

7.1 The EV120 division is the highest national level of Horse Trials. It offers tests of significant difficulty designed to prepare Competitors and Horses for either Three or Four Star Events. The dressage test may include extensions in all three paces, half pass at the trot and canter and single flying changes.

7.2 The EV120 division is open to Horses six years of age and above. A Competitor may compete in the EV120 division from the beginning of the calendar year in which he/she reaches the age of 16.

7.3 EV120 Horse Trials must be conducted as an EC Gold Competition.

7.4 **Cross Country Course Directives:**

The Cross Country course shall be designed within the limits of the specifications and dimensions and speed defined in Annex 6 & 7. The cross country should clearly be a test of boldness and scope as it now combines size with technical difficulty. Combinations with multiple questions are to be

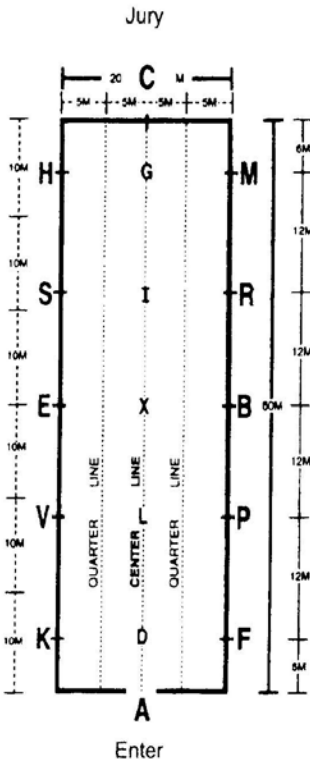
expected such a bounces into water, coffins with short distances or significant slopes, and bending lines or related distances between narrow questions.

- Cross country course directives – per FEI

ANNEX 2.1: EVENTING – DRESSAGE ARENAS

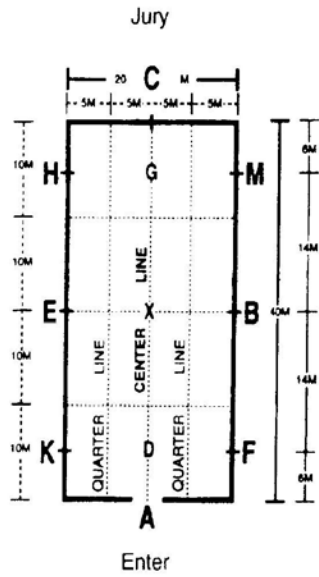
STANDARD ARENA
(20m x 60m)

Diagonal Length:
63.25 m = 207'6"



SMALL ARENA
(20m x 40m)

Diagonal Length:
44.72 m = 146'9"



ANNEX 2. A: PERMITTED BITS FOR THE DRESSAGE TEST

The Equestrian Canada Eventing Rules for permitted bits for the dressage test are lined up with the FEI Eventing Rules.

Note: For Eventing, the bits permitted for the Dressage test take into account the wide use of snaffles in Eventing (different to the Dressage Rules) as well as defining the action.

Any approved mouthpiece may be combined with any approved cheek piece.

1 Permitted Bits for the Dressage Test

1.1 Action of Bits

For information describing the Action of bits please refer to FEI Eventing Rules

<https://inside.fei.org/node/3822/>

1.2 Material

- a) Durable enough to be safe
- b) Must keep smooth and solid surface, not to be altered by the chewing of the horse in order to prevent horse from injuries
- c) Not health-damaging
- d) Snaffles: can be made of metal, flexible rubber or synthetic, or plastic or leather material, and may be covered with rubber/latex by the manufacturer.
- e) Bridoon and curb: must be made of metal and/or rigid plastic and may be covered with rubber/latex by the manufacturer.

1.3 Permitted Snaffles (see diagrams)

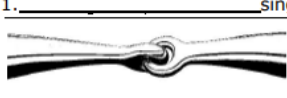





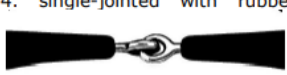





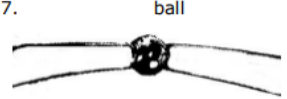









- a) May have one or two joints
- b) May be double-jointed with rounded or rotating mouthpiece allowing for better fit and comfort.
- c) May have a slightly curved port, allowing more room for the tongue. The maximum height is 30mm from the lower part of the side of the tongue to the highest point of the deviation.
- d) Wavy bits are allowed
- e) A coupling is permitted as the centre link and must be solid with no moveable parts other than a roller.
- f) The centre link must be smooth and rounded
- g) The diameter of the mouthpiece must be a minimum of 12mm for Horses and 10mm for Ponies at the rings or cheeks.
- h) The centre link may be a flat link that lies in the same plane as the rest of the bit (i.e. French link)

1.4 Illegal Bits







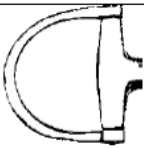






- a) Snaffles with a control plate that does not lie in the same plane as the rest of the bit (i.e Dr Bristol: if put incorrectly the edge of the plate causes excess pressure on tongue).
- b) Any single or double jointed cable bits (may cause pinching of the tongue or cheeks)

- c) Bits which place mechanical restraint on tongue (large immovable centre link causes excessive pressure on tongue).

1.5 Permitted Mouthpieces








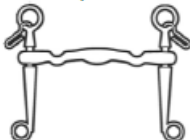

| | |
|---|--|
| <p>1.  single-jointed</p> | <p>10. </p> |
| <p>2.  double-jointed</p> | <p>11. </p> |
| <p>3. shaped  single-jointed</p> | <p>12. </p> |
| <p>4. single-jointed with rubber coating </p> | <p>13. </p> |
| <p>5. double jointed with rotating middle-piece </p> | <p>14. </p> |
| <p>6. double jointed with plastic middle piece </p> | <p>15. </p> |
| <p>7. ball jointed </p> | <p>16. </p> |
| <p>8. multiple ball jointed </p> | <p>17. </p> |
| <p></p> | <p></p> |
| <p>9. shaped double jointed </p> | <p>18. </p> |
| <p></p> | <p>19. French link </p> |

1.6 Permitted Cheek Pieces

| | |
|---|--|
| <p>1. Loose Ring</p>  | <p>7. D-Ring</p>  |
| <p>2. Egg-Butt</p>  | <p>8. D-Ring</p>  |
| <p>3. Egg-Butt</p>  | <p>9. Loose ring with sleeves</p>  |
| <p>4. D-Ring</p>  | <p>10. Snaffle with full cheeks</p>  |
| <p>5. D-Ring</p>  | <p>11. Snaffle with full cheeks</p>  |
| | <p>12. Traditional snaffle cheek piece</p>  |
| <p>6. Hanging-cheek</p>  | <p>13. Hanging-cheek</p>  |

1.7 Permitted Curb Mouthpieces

1.8 Permitted Curb Cheekpieces

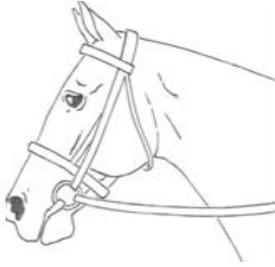
| | |
|---|---|
| 1.  | 1. Straight cheek  |
| 2.  | 2. Straight cheek  |
| 3.  | 3. S-Shape cheek  |
| 4.  | 4. Sliding Cheek Curb  |
| 5.  | |

ANNEX 2. B: PERMITTED BRIDLES FOR THE DRESSAGE TEST

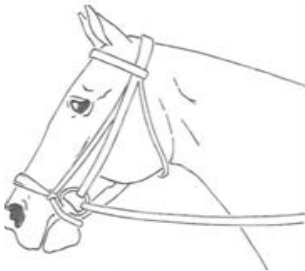
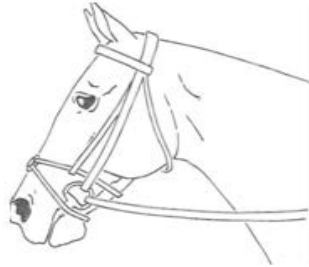
The images below are examples only, and similar bridles which produce the same effect on the horse are also allowed if they adhere to the written rules.

All nosebands must be correctly fitted and cannot be so tight to cause unnecessary discomfort to the Horse.

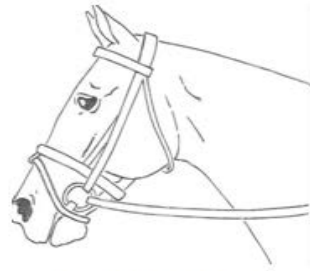
1) Cavesson



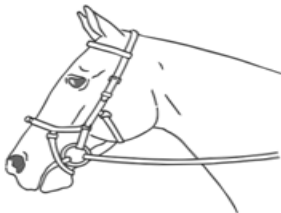
2) Crossed noseband



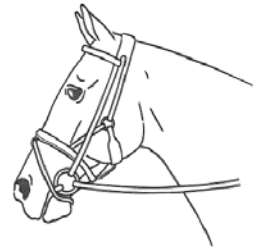
3) Dropped noseband



4) Flash noseband



5) Micklem Bridle



6) Stotztem (combined noseband – no throat lash)

2, 3, 4, 5 and 6 are not permitted when a double bridle is used

ANNEX 3: DRESSAGE SCORING – CALCULATION TO PENALTY POINTS

| | |
|--|--|
| COMPETITOR NAME | |
| COMPETITOR NUMBER: | |
| HORSE: | |
| Judge at C : Total Good Marks: | |
| Less Errors | |
| Percentage: Divide total good marks less errors by _____ x 100 | |
| Judge at _____ Total Good Marks: | |
| Less Errors | |
| Percentage: Divide total good marks less errors by _____ x 100 | |
| Judge at _____ Total Good Marks: | |
| Less Errors | |
| Percentage: Divide total good marks less errors by _____ x 100 | |
| Add together the three percentages: | |
| Average the three percentages (if applicable divide by 2 or 3) | |
| Convert to Penalties: Subtract from 100 | |
| FINAL DRESSAGE PENALTY SCORE | |

ANNEX 4: CROSS COUNTRY – MEASUREMENT OF DROP FENCES

For information and diagrams on the measurement of cross country fences, refer to FEI Cross Country Guide for Officials - Illustration of measurements.
inside.fei.org/fei/disc/eventing/rules

ANNEX 5: DIAGRAM OF CROSS COUNTRY OBSTACLES AND FAULTS

The following Diagrams are non-exhaustive examples for reference. The wording of the respective rules will prevail.

Diagram nr 1

(0 penalties)

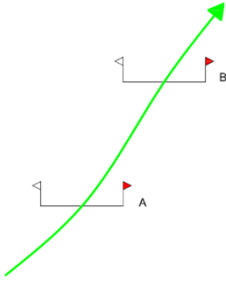


Diagram nr 2

(0 penalties)

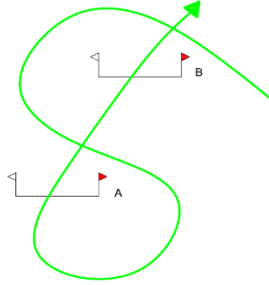


Diagram nr 3

(0 penalties)

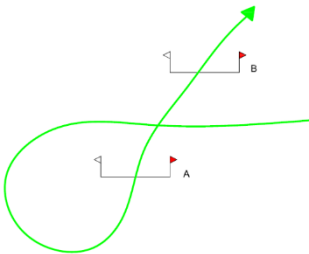


Diagram nr 4

(0 penalties if not presented at B)

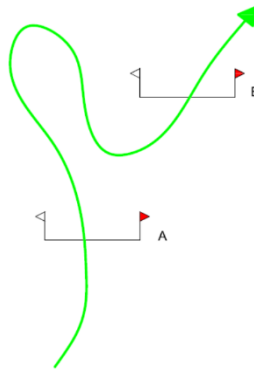


Diagram nr 5

(0 penalties)

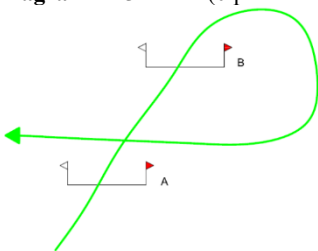


Diagram nr 6

(20 penalties)

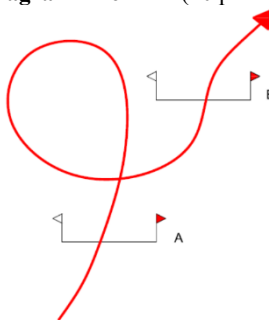


Diagram nr 7 (20 penalties)

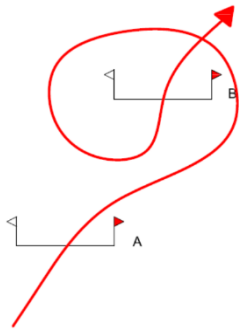


Diagram nr 8 (20 penalties)

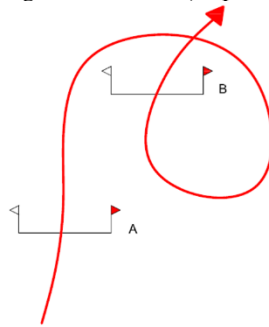


Diagram nr 9 (20 penalties)

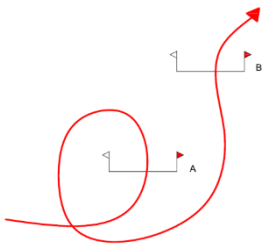


Diagram nr 10 (20 penalties)

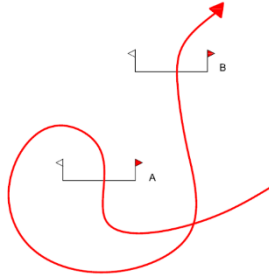


Diagram nr 11 (0 penalties)

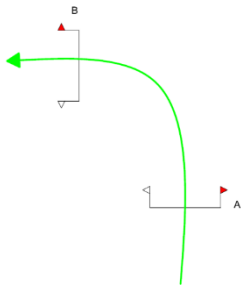


Diagram nr 12 (0 penalties)

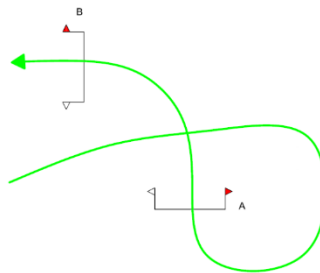


Diagram nr 13 (0 penalties)

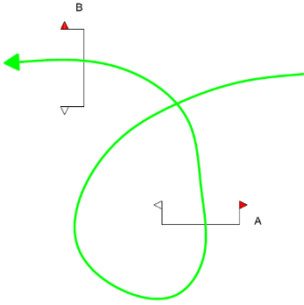


Diagram nr 14 (0 penalties)

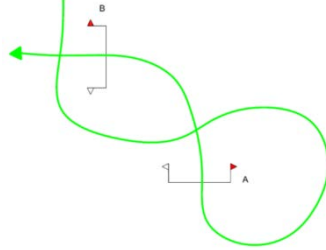


Diagram nr 15 (20 penalties)

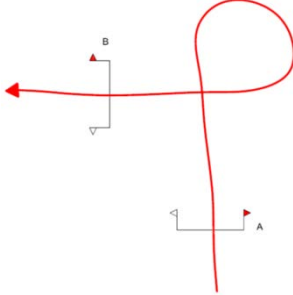


Diagram nr 16 (20 penalties)

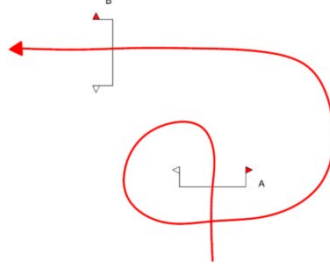


Diagram nr 17 (20 penalties)

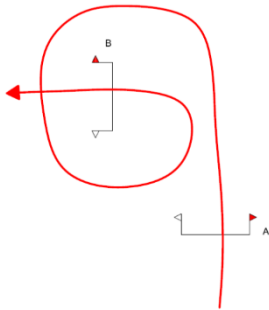


Diagram nr 18 (20 penalties)

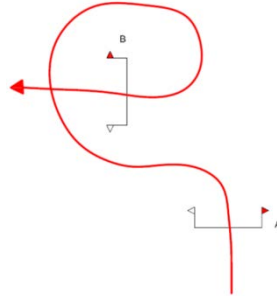


Diagram nr 19 (0 penalties)

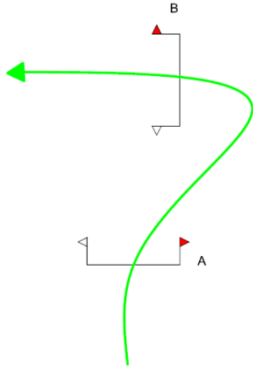


Diagram nr 20 (0 penalties)

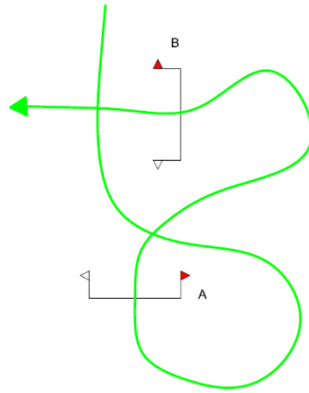


Diagram nr 21 (0 penalties)

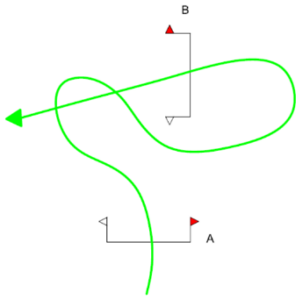


Diagram nr 22 (0 penalties)
(20 penalties)

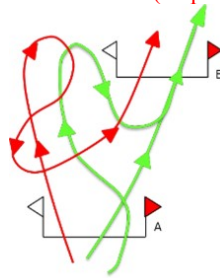


Diagram nr 23 (20 penalties)

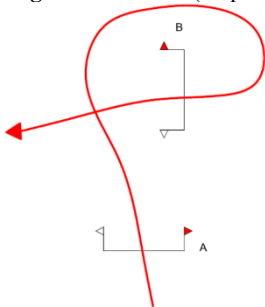


Diagram nr 24 (20 penalties)

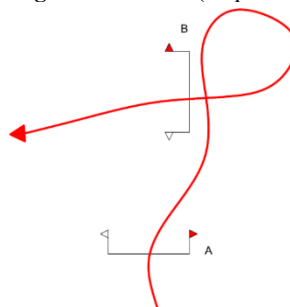


Diagram nr 25 (20 penalties)

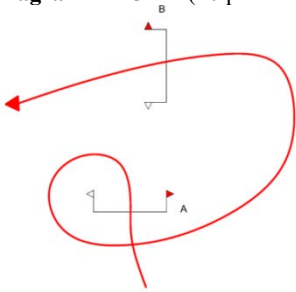


Diagram nr 26 (20 penalties)

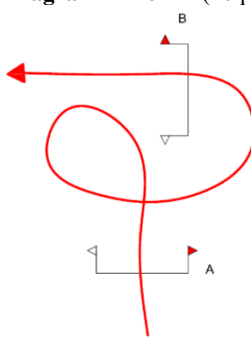


Diagram nr 28 (20 penalties)

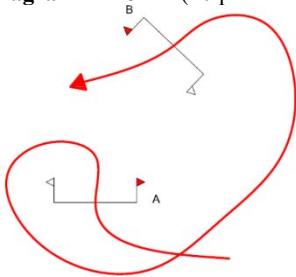


Diagram nr 30 (0 penalties)

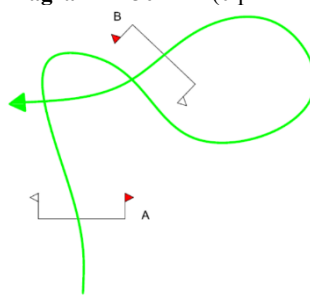
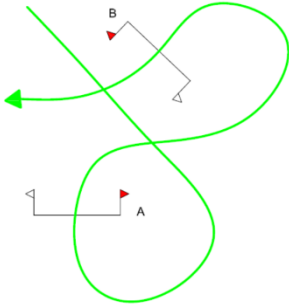


Diagram nr 31 (20 penalties)



| ANNEX 6: TABLE OF SPEEDS, TIMES, DISTANCES AND JUMPING EFFORTS CROSS COUNTRY TEST | | | | | | | |
|--|--|--|---|------------------|--|---|--|
| Division | EV120 (Previously Advanced) | EV115 (Previously Intermediate) | EV110 (Previously Preliminary) | EV105 | EV100 (Previously Training) | EV90 (Previously Pre-Training) | EV85 (Previously Entry) |
| CROSS COUNTRY TEST | | | | | | | |
| Speed: Optimum Time: | 570 mpm | 550 mpm | 520 mpm | 500 mpm | 400-450 mpm | 400 mpm | 350 mpm |
| Speed Fault Speed: | NA | NA | NA | NA | 500 mpm | 450 mpm | 400 mpm |
| Distance: (m) | 3420-3990 | 2400-3575 | 2200 -3120 | 2000-3000 | 1800-2500 | 1500-2250 | 1400-2000 |
| Max. Jumping Efforts: | Min 30 Max 35 | Min 22 Max 32 | Min 18 Max 30 | Min 18 Max 25 | Max 16 to 24 | Max 12 to 22 | Max 10 to 18 |

Speed shown in - metres per minute (mpm)

Distances shown in metres (m)

EV90 and EV85 divisions: Technical Delegate may lower the speed for Phase D to suit local terrain, conditions and/or weather.

Note: Per ARTICLE D309.3.2

The distances for Phase D should not be more than 500 meters (m) shorter than those set out but may be somewhat longer (up to 10%) to suit local conditions.

The given speeds are to be used in all but exceptional circumstances and may be altered only with the approval of the Technical Delegate.

| Division | EV120 (Previously Advanced) | EV115 (Previously Intermediate) | EV110 (Previously Preliminary) | EV105 | EV100 (Previously Training) | EV90 (Previously Pre-Training) | EV85 (Previously Entry) |
|--|--|--|---|--------------|--|---|--|
| JUMPING TEST | | | | | | | |
| Speed: | 375 | 350 | 350 | 350 | 350 | 325 | 300 |
| Recommended Distance (m) | 450-550 | 400-500 | 350-450 | 350-450 | 350-450 | 350-450 | 350-450 |
| Nr of obstacles / efforts | 10 -12/ 13-15 | 10 -12/ 12-14 | 10- 12/ 11-13 | 10-11/12 | 10 -11/ 11-12 | 9 -10/ 9-11 | 9 -10/ 9-11 |
| NOTES The recommended size of jumping arena is 4000 sq. m. (5000 sq.m. for EV120 level) with the short side a minimum of 50 m. In arenas less than 2300 sq.m. the maximum speed for EV100 and above levels shall be 325mpm. In arenas less than 5000 sq.m. but greater than 2300 sq m., the maximum speed for the EV120 level shall be 350mpm. For Combined Tests the jumping test distances may be up to 150m longer than specified. | | | | | | | |

ANNEX 7: CROSS COUNTRY & JUMPING TEST SPECIFICATIONS

| Division | EV120 (Previously Advanced) | EV115 (Previously Intermediate) | EV110 (Previously Preliminary) | EV105 | EV100 (Previously Training) | EV90 (Previously Pre-Training) | EV85 (Previously Entry) |
|---|--|--|---|--------------|--|---|--|
| CROSS COUNTRY TEST | | | | | | | |
| HEIGHTS STEEPLE | | | | | | | |
| Fixed | 1.00m | 1.00m | 1.00m | NA | NA | NA | NA |
| Brush | 1.40m | 1.40m | 1.40m | NA | NA | NA | NA |
| HEIGHTS: CROSS | | | | | | | |
| Fixed | 1.20m | 1.15m | 1.10m | 1.05m | 1.00m | 0.90m | 0.85m |
| Brush | 1.40m | 1.35m | 1.30m | 1.25m | 1.20m | 1.00m | 0.94m |
| SPREADS STEEPLE & CROSS | | | | | | | |
| Highest Point | 1.80m | 1.60m | 1.40m | 1.20m | 1.10m | 0.90m | 0.85m |
| Base | 2.70m | 2.40m | 2.10m | 1.80m | 1.60m | 1.40m | 1.22m |
| Obstacle without height | 3.60m | 3.20m | 2.80m | 2.40m | 1.80m | 1.50m | 1.22m |
| WATER | | | | | | | |
| For complete specifications such as depth of water, widths of water crossings etc. see Article D 310.3. | | | | | | | |

| Division | EV120 (Previously Advanced) | EV115 (Previously Intermediate) | EV110 (Previously Preliminary) | EV105 | EV100 (Previously Training) | EV90 (Previously Pre-Training) | EV85 (Previously Entry) |
|--|--|--|---|--------------|--|---|--|
| * DROPS: Maximum | 2.00m | 1.80m | 1.60m | 1.40m | 1.40m | 1.10m | .85m |
| ** Maximum specific | 1.60m | 1.50m | 1.40m | - | 1.20m | 0.90m | - |
| **The number of drops exceeding these measurements limited to 2 (T and PT limited to 1) | | | | | | | |
| * The number of drop fences of lesser dimensions is left to the discretion of the Technical Delegate but should not exceed 15% of the total jumping efforts. | | | | | | | |
| JUMPING TEST | | | | | | | |
| Maximum Height | 1.25m | 1.20m | 1.10m | 1.05m | 1.00m | 0.90m | 0.85m |
| Overall Spreads Oxers (top spread may not exceed 20cm of the height) | 1.45m | 1.40m | 1.30m | 1.25m | 1.20m | 1.10m | 1.00m |
| Overall spreads of Triple Bars | 1.65m | 1.60m | 1.50m | 1.45m | 1.40m | 1.30m | 1.20m |

ANNEX 8: WARNING RED CARD/EVENTING RECORDED WARNING SYSTEM

PROCESS FOR AWARDING AND REPORTING WARNING RED CARD AND EVENTING RECORDED WARNINGS

1. **Warning Red Card or Eventing Recorded Warning** will be awarded for offences as described in Article D112 Abuse of Horse or Article D113 Dangerous Riding.
2. The Warning Red Card or Eventing Recorded Warning will be given by:
 - Technical Delegate – at Horse Trials and Combined Tests
 - Ground Jury President – at National Three Day Events
 - Technical Delegate or Judge (if TD not present) at Eventing Tests
3. The Warning Red Card/Eventing Recorded Warning delivery and reporting will be the responsibility of the competition’s Technical Delegate.
4. The Warning Red Card/ Eventing Recorded Warning will include the following:
 - date and time;
 - event – place;
 - name of Competitor and EC sport licence, membership numbers and current mailing and electronic address
 - name of Horse and EC Horse Recording/Passport number (if applicable);
 - description of offence
 - signature of official, date;
 - name, address telephone number and signature of witness(es),(if applicable) date.
5. The Warning Red Card or Eventing Recorded Warning may be delivered by hand to the Competitor at the competition. In these cases, a copy of the Warning Red Card or Eventing Recorded Warning with supporting documents must be sent to the Equestrian Canada Eventing Department. Before issuing a Warning Red Card or Eventing Recorded Warning, the Ground Jury and/or Technical Delegate has the duty to hear the Competitor, if available.
6. If the Warning Red Card or Eventing Recorded Warning is not delivered to the Competitor at the competition, it must immediately be forwarded with all supporting documents including witness statements and veterinary reports if applicable, to the Equestrian Canada Eventing Department by the Technical Delegate.
7. Monitoring of the Warning Red Cards/ Eventing Recorded Warnings will be the responsibility of the EC Eventing Committee. Depending on the severity of the offence, further actions may be taken.
8. Should the same individual receive a subsequent Warning Red Card within one (1) year (12 months) of the delivery of the first Warning Red Card for any offence, that individual shall be subject to a hearing to consider the conduct that lead to each Warning Red Card being issued pursuant to EC General Regulations Chapter 12, General Dispute Resolution and Protests at EC-Sanctioned Competitions.
9. Should the same individual receive three (3) or more Eventing Recorded Warnings at the same or any other EC Eventing competitions within two (2) years (24 months) of the delivery of the first Eventing Recorded Warning, for

any offence, the individual shall be subject to a hearing to consider the conduct that lead to the Warning Red Card being issued pursuant to EC General Regulations Chapter 12, General Dispute Resolution and Protests at EC-Sanctioned Competitions.

ANNEX 9: INFORMATION FOR EVENTING OFFICIALS

For General Regulations pertaining to Equestrian Canada Officials, refer to the Rules of Equestrian Canada, Section A, Chapter 13, Officials.

For complete officiating requirements at Eventing competitions – please refer to Chapter 5 of the Equestrian Canada Rules for Eventing.

SECTION 1 – CATEGORIES OF OFFICIALS

1.1 TECHNICAL DELEGATES

There are three levels of Equestrian Canada Eventing Technical Delegates:

- a) **Level 1** (recorded) – May officiate at EC competitions in the EV85, EV90 and EV100 divisions.
- b) **Level 2** (junior) - May officiate at EC Horse Trials competitions up to and including the EV110 division.
- c) **Level 3** (senior) - May officiate at all EC Horse Trials and Three Day Event competitions, with the exception of EV120 Horse Trials and Three Day Events. May officiate at national championships after the probationary period.

1.2 EVENTING JUMPER JUDGES

There is one level of Eventing Jumper Judge (Level 1-recorded)

- a) The Eventing Jumper Judge may judge the Jumping test at Horse trials.
- b) The Eventing Jumper Judge may officiate as the member of the Ground Jury at Horse Trials

1.3 THREE DAY EVENT JUDGE

There are three levels of Equestrian Canada Three Day Event Judges

- a) **Level 1** - may officiate as *Ground Jury member or President at all levels, up to and including EV100.
- b) **Level 2** - may officiate as *Ground Jury member or President at Horse Trials at any level up to and including EV115.
- c) **Level 3** - may officiate as *Ground Jury member or president at all levels of Horse Trials and as President of the Ground Jury at Equestrian Canada sanctioned Three Day Events.*The Level 3 Three Day Event Judge may officiate as the Ground Jury member or president of an appropriate level FEI eventing competition. (subject to FEI rules and FEI approval).
*Duties may include judging the dressage and jumping tests.

1.4 COURSE DESIGNER

There are three levels of Equestrian Canada Eventing Course Designers

- a) **Level 1** - may design cross country courses up to and including the Equestrian Canada EV100 Horse trials division.
- b) **Level 2** - may design cross country courses up to and including the Equestrian Canada EV110 Horse trials division and the CIC 1* international Horse trials division.
- c) **Level 3** - may design cross country courses up to and including the Equestrian Canada EV115 and EV120 Horse trials divisions, the CIC 1* international Horse trials division and CCI 1* international three day events.

GLOSSARY

AD

Advanced

ADULT

Individuals are adults from the beginning of the calendar year in which they reach the age of nineteen. For exceptions, see discipline/breed sport rules.

AFFILIATE ORGANIZATIONS

Canadian equine or equestrian organizations with aims and objectives of national scope may apply to become affiliate members of EC. See Article A211, Affiliate Membership.

AGE OF A HORSE

A horse is considered to be one year old on January 1 following the actual foaling date.

AGE OF A PARTICIPANT

Except as modified by discipline/breed sport rules, a participant is considered to be a certain age until the end of the calendar year in which he or she turns that age. For example, riders remain Junior A until the end of the calendar year in which they turn 18.

AGENT

Any adult or group of adults acting on behalf of an owner or lessee.

AM

Amateur

AMATEUR

For the purposes of these rules, an amateur is an adult Sport Licence holder who is eligible to compete in EC amateur classes as per EC regulations. See Article A902, Amateur Competitors, and specific discipline/breed sport rules.

APPEALS

An appeal may be made against the decision of a competition organizing committee or against the decision of a hearing panel, provincial, territorial or national, regarding a protest or complaint. See Articles A1211 and A1212.

“B”

Basic (Judge or Steward)

BOARD/BOARD OF DIRECTORS

The Board of Directors of Equestrian Canada.

BORROWED HORSE

A horse not owned by the rider competing in a Para-Equestrian Canada class.

CALENDAR YEAR

The calendar year starts on January 1 and ends on December 31.

CANADIAN OLYMPIC COMMITTEE (COC)

The Canadian Olympic Committee, the governing body for all Olympic disciplines in Canada. EC is a member of the COC.

CANADIAN PARALYMPIC COMMITTEE (CPC)

The Canadian Paralympic Committee (CPC) National Paralympic Committee for Canada and is a member of the International Paralympic Committee (IPC). Equestrian Canada is a member of the CPC.

CAP

See “Competition Administration Policy”.

CARDED ATHLETES

Carded Athletes refers to athletes who are approved for funding and are directly financially support by Sport Canada through the Athlete Assistance Program (AAP). AAP support is referred to as CARDING.

CATEGORY

Refers to the eligibility of the athlete defined by age, amateur status, open, etc.

CDI

Concours Dressage Internationale

CDN

Canadian

CERTIFIED COACH

Equestrian Coaches who have completed an evaluation and are certified by EC in partnership with the Coaching Association of Canada. The following designations are available: Instructor, Competition Coach, Competition Coach Specialist, High Performance 1.

CERTIFIED INSTRUCTOR

Equestrian Instructors who have completed an evaluation and are certified by EC in partnership with the Coaching Association of Canada.

CET

Canadian Equestrian Team

CHILDREN

Juniors competing in classes designated as children’s classes. See discipline/breed sport rules for cross-entry restrictions.

CLASSES

1. Amateur/Amateur-Owner Class. For adult riders/drivers who hold a valid Sport Licence and EC amateur card or, when competing in their own

breed divisions or classes, a valid amateur card from their breed or discipline affiliate organization. Riders/drivers from other countries must have a valid amateur card from their national federation. In amateur-owner classes, riders/drivers or members of their immediate family must own the horse. See also 13. Owner Classes

2. Canadian-Bred Class. A Canadian-bred class is limited to entries of horses bred and foaled in Canada.
3. EC Point Classes. Classes in which competitors accumulate points at EC competitions towards annual EC awards.
4. Family Class. A class for two or more members of a family.
5. Gentlemen's Class. A class for gentlemen which may be restricted to riders, drivers or handlers who are no longer eligible to compete as juniors, unless otherwise specified in discipline/breed sport rules.
6. Ladies' Class. Class for ladies which may be restricted to riders, drivers or handlers who are no longer eligible to compete as juniors, unless otherwise specified in discipline/breed sport rules.
7. Limit Class. Limit classes are for horses or competitors that have not won six first place ribbons at EC Gold competitions or at USEF competitions in the particular performance classes in which they are being shown excepting winnings in four-in-hands, tandems, teams, unicorns, and pairs, and winnings in combined driving, local, model and breeding classes, unless otherwise specified in discipline/breed sport rules. A limit entry is such from the closing date of entries.
8. Local Class. A class held at an EC-sanctioned competition, which is restricted by geographic area but which is run according to all other EC rules. Local classes are not eligible for national or regional championships nor shall they count towards EC awards. See EC Competition Administration Policy, Local and Miscellaneous/Additional Classes.
9. Maiden Class. A class open to horses or competitors that have not received one first place ribbon at EC Platinum, Gold or Silver competitions or USEF competitions in the particular performance classes in which they are shown. A maiden entry is such until the closing date of entries.
10. Miscellaneous Class. A class which meets the particular requirements of a competition and is beneficial to the area but does not conform to the specifications for any class or division included in these rules. Entries in these classes will not accumulate points towards EC awards. Such classes or divisions must be identified in the prize list as "not rated for EC awards".
11. Novice Class. A novice class is open to horses or competitors that have not won three first place ribbons at EC Platinum, Gold or Silver competitions or USEF competitions in the particular performance classes

in which they are shown, unless otherwise specified in discipline/breed sport rules. A novice entry is such until the closing date of entries.

12. Open Class. A class that is open to all horses of any age or breed, irrespective of ribbons previously won, and in which there is no qualification for the rider or driver.
13. Owner Classes. Open to adult riders/drivers who are owners or members of the owner's immediate family. Leased horses are not eligible and multiple ownership is not permitted unless all owners are members of the same immediate family and members of EC. See discipline/breed sport rules for specific restrictions.
14. Parent and Child Class. For a parent and child. The age of the child may be specified. To be judged as a Family or Pair class using specifications in the discipline/breed sport rules.
15. Restricted Class. A class in which entries are restricted or limited in any way (i.e. according to money or ribbons won, years of competition, age, etc.)

Note: Classes restricted by geographic area are Local Classes.

CLASSIFIER A Para Equestrian Classifier is an individual trained and qualified to administer athlete classification nationally and/or internationally.

CLASSIFICATION

Classification is undertaken to ensure that an Athlete's impairment is relevant to performance on the horse. Classification aims to place athletes into classes or Grades according to how much their impairment impacts on the core determinants of success in the sport. Classification ensures the Competition within each Grade can then be judged on the functional skill of the rider regardless of impairment.

CLIENT

Any person who pays a fee for equestrian and/or equine-related services.

COACH

An adult who instructs and educates riders or drivers. See also CERTIFIED COACH

COC

See "Canadian Olympic Committee".

COMPETITION

1. For the purposes of these rules, the term competition includes all shows, events, horse trials and any other form of equestrian competition that is covered by these rules.
2. Platinum Competition. A term for a competition that is operating a Gold EC-sanctioned competition and an FEI sanctioned competition at the same time and venue.
3. Gold Competition. This category of competition formerly called a National Competition is subject to the rules set out in the Rules of

- Equestrian Canada. Points accumulated at EC Gold sanctioned competitions apply towards the EC awards programs.
4. Silver Competition. A category of competition sanctioned by Equestrian Canada, organized and named by the province subject to the rules set out in the Rule Book. Competitors in this category of competition are not eligible to accumulate points for annual EC championship awards. Provinces may establish their own awards program for these competitions.
 5. Bronze Competition. A grass-roots category competition (similar to the former Primary Competition) sanctioned by EC and subject to the rules set out in the Rules of Equestrian Canada, subject to discipline-specific restrictions. Competitors in this category of competition are not eligible to accumulate points for annual EC championship awards. Provinces may establish their own awards program for these competitions.
 6. Sanctioned Competitions. Bronze, Silver, Gold and Platinum competitions are all sanctioned by Equestrian Canada and are subject to the rules set out in the Rules of Equestrian Canada.

COMPETITION ADMINISTRATION POLICY (CAP)

This policy outlines the three-stage process for obtaining an EC-sanctioned competition sanction/licence, and the responsibilities of the competition organizing committee, the Participating Provincial or Territorial Sport Organization (PTSO) and Equestrian Canada regarding sanctioned competitions.

COMPETITION EMPLOYEES AND OFFICIALS

All persons directly employed by the competition, and all individuals officiating at a competition including but not limited to judges, stewards, course designers, technical delegates, veterinarians, timekeepers, announcers and ringmasters. See also Licensed Officials.

COMPETITION MANAGER

A person designated to manage a competition (see Competition Administration Policy 5.1.2). This person must hold a valid EC Sport Licence at or above the level of the competition, and must be in good standing.

COMPETITION ORGANIZING COMMITTEE OR MANAGEMENT

All persons who are responsible for all or part of the management and organization of a sanctioned competition including but not limited to members of a competition's Board of Directors, the officers, competition committee chairperson or president, manager and secretary.

COMPULSORY TURNING FLAG (CTF)

In driving, a pair of markers used to define the required track of the Marathon course. Each CTF must be numbered consecutively within the section and placed so they are clearly visible to be passed with the red marker on the right and white on the left. Numbering shall be affixed to the right hand marker using the shapes and colours defined for each division (Article C960.5)

COMPETITION YEAR

The competition year is the calendar year.

COMPETITOR

The person entered in a competition as a rider, driver, vaulter or handler.

1. Rider – directs the movement of or controls the horse from a saddle.
2. Driver – directs the movement of or controls the horse from either the ground or on a vehicle using a lead, lunge or reins augmented by whip and voice as the primary aids.
3. Vaulter – performs gymnastic and dance exercises on the back of a moving horse. A vaulter is not a rider, as the horse's movement is directed and controlled by a lunger using a lunge line, a lunge whip, and static side reins.
4. Handler – directs and controls the movement of the horse other than as specified above.

COMPLAINT

A formal submission in writing on the required form stipulated within the EC Discipline, Complaints and Appeal Policy setting out the details of an alleged complaint, violation, breach, or grievance.

CONFLICT OF INTEREST

A substantial appearance of a conflict of interest exists whenever others may reasonably infer from the given circumstances that a conflict exists. A conflict of interest is defined as any personal, professional or financial relationship, including, but not limited to, relationships of family members that could influence or be perceived to influence objectivity when representing or conducting business or other dealings for, or on behalf of EC. For example, a person is considered to be in conflict of interest if that person or that person's family stands to benefit from a decision or from information obtained in the course of official duties and responsibilities which is not generally available to the membership or the public. See Chapter A14, Conflict of Interest Provisions.

CPC

Canadian Pony Club

DISMOUNTING

The deliberate departure of a person from the horse/carriage or the accidental leaving (falling off) of the horse/carriage .

DISQUALIFICATION

Disciplinary action, prohibiting a competitor and/or entry from any further participation for the duration of a competition, and usually requiring the forfeiture of all winnings and the loss of entry fees.

DIVISION

A grouping of entry based on competition criteria. Example: Training, Preliminary, Intermediate, Intermediate II, Advanced.

Blocks of FEI tests written by FEI and used by EC. Always prefaced by the abbreviation "FEI ...".

DRP

Dispute Resolution Path/Process

DRR

Dispute Resolution Request

EC DRESSAGE COMMITTEE

The National Committee responsible for the development of Dressage in Canada.

EC DRIVING COMMITTEE

The National Committee responsible for the development of driving in Canada.

EC EVENTING COMMITTEE

The National Committee responsible for the development of Eventing in Canada.

EC JUMPING COMMITTEE

The National Committee responsible for the development of the hunter, jumper and equitation divisions of equestrian sport in Canada.

EC NATIONAL PASSPORT

The EC national passport is for use in FEI CIM-level competitions within Canada by Canadian owned horses. Please note that Canadian owned horses competing outside of Canada will require an FEI Passport or FEI Recognition Card. Horses competing with the EC National Passport in FEI competitions must also have an annual FEI Registration. Horses competing in CI-level competitions or FEI competitions outside of Canada, must upgrade to an FEI Recognition Card.

EC PARA-DRESSAGE COMMITTEE

The National Committee responsible for the development of Para-Dressage in Canada.

EC

Equestrian Canada

EC/USEF RECIPROCAL AGREEMENT

An agreement between EC and USEF on the recognition and suspension of officials, amateur certification and jointly recognized competitions.

ELIMINATION

Exclusion from any further participation in the class in which the elimination occurs.

ENTRY

Horse or pony entered in competition, or, in equitation, horsemanship or reinsmanship classes, the rider or driver respectively.

ENTRIES

1. Applications to compete in an EC-sanctioned competition, which must be signed by an individual who holds a valid EC Sport Licence or member of the national federation of another country, excepting parents or guardians signing an entry for a junior. See Chapter A9, Entries.
2. Late entry. An entry made and accepted after the closing date of entries and before the commencement date of the competition.
3. Post-entry. An entry made after the commencement of the competition or after the closing of entries, depending upon the rules of each competition.
4. Regular entry. An entry made before the closing date for regular entries.

EQUESTRIAN CANADA (EC)

Equestrian Canada is the national governing body for all equine and equestrian sporting and recreational activities and interest (except racing) in Canada. If the name of EC changes at any time, any reference to EC will refer to its replacement name or organization.

EVENT

The entirety of activities, classes, competitions or combinations thereof, commencing and concluding as defined by the Organizer in the Prize List and which is covered by these rules. Also see “Competition”.

EVENT LOCATION

All lands used by the competitions comprising the event. The competition rings, arenas, warm-up areas, stabling, parking and all grounds available or used for an event or competition owned, leased or rented by the Organizing Committee for the purposes of holding an EC-sanctioned event.

EVENTING

EC rules for the discipline of Eventing, formerly called Combined Training, cover Horse Trials, Two-Day Events and Three-Day Events.

FALLS

Competitors are considered to have fallen when, either voluntarily or involuntarily, they are separated from their horse, which has not fallen, in such a way that they touch the ground or find it necessary, in order to get back into the saddle, to use some form of support or outside assistance.

1. A horse is considered to have fallen when at the same time both its shoulder and quarters have touched either the ground or the obstacle and the ground.
2. See also discipline/breed sport rules.

FEDERATION

For the purposes of these rules, the “Federation” means Equestrian Canada or the replacement organization should its name change.

FÉDÉRATION EQUESTRE INTERNATIONALE (FEI)

The Fédération Equestre Internationale is the international equestrian sport governing body, of which EC is a member.

FEES, NOMINATION AND START

1. **Nomination Fee.** A fee, usually non-refundable, which is levied by the competitions and, in some cases, organizations sponsoring special competitions such as futurities, to establish eligibility and intent to enter classes or divisions or special events. The fee constitutes a part of the total entry fee and allows the competitor the option to compete, usually upon payment of an additional fee, in the classes or divisions or special events for which the nomination fee was paid.
2. **Start Fee.** An additional fee levied by the competition applied to previously nominated entries and paid before commencement of a class. Payment of the fee allows the entries to compete in the class for which they have been nominated.

FEI

See Fédération Equestre Internationale

FEI SCHEDULE

An official document approved by the FEI outlining relevant information of an Event, including but not limited to the dates and location of the Event, the dates by which entries must be received, the Disciplines in which Competitions will be held, the programme of Competitions, the categories, nationalities and other relevant details of invited Athletes and Horses, the stabling and accommodation available, the value of the prizes and their distribution, and any other relevant details.

FEI 1*2*3* 4* 5*

Categories of FEI sanctioned competition and certification classification of FEI Officials.

GATE

In driving: A pair of lettered or unlettered markers used in an obstacle to define the route.

GENERAL PERFORMANCE DIVISION

A multi-performance division open to all horses, with classes conducted according to the General Performance rules. See Section F, General Performance.

GOOD STANDING

Participants in good standing are individuals who hold sport licences with Equestrian Canada who have paid their current licence dues, are not currently suspended and/or are not subject to any form of disciplinary action as described in these rules.

GP

Grand Prix

GPS

In dressage; Grand Prix Special

GPF

In dressage; Grand Prix Freestyle

GROOM, ATTENDANT OR ASSISTANT

A person who assists a competitor.

GUEST CARD

A guest card is a temporary licence issued by EC for officials not listed in the current EC Officials Roster or not listed in the capacity or with the qualifications which the competition requires.

HAND

A hand is a unit of measurement that may be used to determine the height of a horse or pony. A hand measures four inches. Equines may also be measured in centimetres.

HANDLER

See “Competitor”.

HEADER

In driving; A groom or passenger, who “heads” a horse in a lineup in a driving class.

HEADGEAR STANDARDS

Protective headgear must be certified under one of the following standards: ASTM (American Society for Testing Materials)/SEI (Safety Equipment Institute, Inc.); BSI/BS EN (British Standards Institution); EN (European Union Standards); AS/NZS (Australian/New Zealand Standards); or CE VG1 01.040 2014-12 (provided they are BSI Kitemarked).

HORS CONCOURS

Non-competitive entry, entered in a competition with the permission of the organizing committee. Not eligible for any winnings at that competition from the time it performs hors concours. See discipline/breed sport rules.

HORSE

The term “horse” in this Rule Book, unless otherwise stated, denotes a horse, pony, mule, donkey, zebra or Very Small Equine (VSE). For competition purposes, a horse is over 14.2 hands high. For exceptions, see discipline/breed sport rules.

HORSE RECORDING

A Horse Recording is a digital identification document for horses competing at EC Silver, Gold and Platinum competitions. The purpose of a Horse Recording is to enable EC to create a database profile for every horse competing at EC-sanctioned competitions. This allows EC to:

- Track the number of competitions, and classes per competition, that a horse is entered in to protect horse welfare.
- Record competition results to aid owners in the marketing and sale of horses, and to identify successful bloodlines.
- Assist in horse identification and safeguard against horse misrepresentation.
- Track eligibility of all horses and ponies, and record official pony measurements, to ensure fair play.
- Accurately track horses throughout their lifetime, regardless of ownership and/or horse name changes.

I1

In dressage; abbreviation for the Intermediate 1 test

I2

In dressage; abbreviation for the Intermediate 2 test

IMMEDIATE FAMILY / FAMILY

The words “immediate family” and “family” include the following: husband, wife, spouse, common law, same- or opposite-gender partner, parent, child, step-child, brother, sister, half-brother and sister, step-brother and sister, in-laws of the same relation stated above, grand-parents and grand-children, unless otherwise stipulated in discipline/breed sport rules.

JR

Junior

JUDGING PANEL

Two or more judges on the ring at the same time

JUNIOR/YOUTH

1. Except as modified by discipline/breed sport rules, individuals are juniors until the end of the calendar year in which they reach the age of 18.
2. Junior “A”. Riders/drivers are classified as Junior “A” from the beginning of the calendar year in which they turn 16 until the end of the calendar year in which they turn 18.
3. Junior “B”. Riders/drivers are classified as Junior “B” from the beginning of the calendar year in which they turn 13 until the end of the calendar year in which they turn 15.

4. Junior “C”. Riders/drivers are classified as Junior “C” such until the end of the calendar year in which they turn 12.

In Western classes, individuals are youths until the end of the calendar year in which they turn 19. See also discipline/breed sport rules.

JURY

For the purposes of these rules, a jury is deemed to be one judge or any number of judges as required by the class or event rules.

LAMENESS CATEGORIES

Grade I: is defined as lameness difficult to observe. Not consistently apparent regardless of whether the horse is circling, going up or down a hill, trotting on a hard surface, etc.

Grade II: is defined as lameness difficult to observe at a walk or trot on a straight line.

Grade III: is defined as a consistently observable lameness at a trot.

Grade IV: is defined as an obvious lameness with marked nodding.

Grade V: is defined as minimal weight bearing on one leg, or inability to move.

In endurance; Grades III to V are automatically excused from BC judging; Grades I and II usually are not. The "soundness" score should reflect the significance of the gait impairment as well as the degree of impairment at that moment. A horse that merely has a peculiar way of going may appear slightly "off" so it is very important for the vet to have made notes, whether mental or otherwise, about how each horse moved at the pre-ride exam.

LESSEE

An individual or group of individuals leasing a horse; to be official the lease must be registered with EC.

LEVEL

Blocks of EC national dressage tests written by the USEF and used by EC. Refers to Training through Fourth Level and all Freestyles.

"M"

Medium (Judge or Steward)

MEMBER

Members of Equestrian Canada, including Category A, Category B and Category C members; see Equestrian Canada Bylaws, Article 3 – Membership. The term “member” may also be used in these rules to refer to a member of an organization such as FEI / USEF. See also Registered Participant.

NATIONAL CHAMPIONSHIPS

Any national competition may apply for National Championships through the EC National Office and pay the required fees.

NATIONAL FEDERATION (NF)

The national sport governing body of a country, which is a member of the FEI.

NATIONAL OFFICE (EC)

The administrative office of EC.

NATIONAL ORGANIZATION

A Canadian equine or equestrian society or organization, which has objectives and aims with Canadian scope, is registered in Canada, has a Canadian head office and a Canadian Board of Directors.

NF

See National Federation

O

Open

OFFICIALS

Officials, including judges, stewards, course designers and technical delegates, who are recognized and certified by Equestrian Canada to officiate at EC-sanctioned competitions.

PARTICIPANT

Any person involved with, competing in, taking part in, in any capacity with regards to the said event. Said “event” is not restricted to competition and could include but is not limited to clinics, shows, competitions, demonstrations and training sessions. See also Registered Participant.

PARTICIPATING PISO

A Provincial or Territorial Sport Organization that has a current Affiliation Agreement with Equestrian Canada to provide various services and products and represents the aims and objectives of the national federation in its region.

PERSON(S) RESPONSIBLE

The Person(s) responsible (PR) for a horse must be an adult who has, or shares responsibility for the care, training, custody, and performance of the horse and who has official responsibility for that horse under EC Rules. The PR is liable under the penalty provisions of the applicable EC Rules for any rule violations.

Every entry form for an EC sanctioned competition must identify the PR and be signed by the PR.

The Person(s) responsible is ultimately responsible for the condition, fitness and management of the horse and is alone responsible for any act performed by himself/herself or by any other person with authorized access to the horse in the stables, elsewhere on the grounds, or while the horse is being ridden, driven or exercised.

A: For adult entries into EC sanctioned competitions the PR shall be either the trainer, the owner of the horse or the competitor who rides or drives the horse during the EC sanctioned competition.

B: For Junior entries into EC sanctioned competitions the Junior competitor cannot be the PR. For Junior entries the PR may be either the trainer, the owner of the horse, or a parent/guardian of the Junior competitor.

PONY

1. Ponies are animals that do not exceed 14.2 hands, unless otherwise specified in discipline/breed sport rules.
2. “A” ponies exceed 13.2 hands but do not exceed 14.2 hands
3. “B” ponies exceed 12.2 hands but do not exceed 13.2 hands
4. “C” ponies do not exceed 12.2 hands

PRIZE LIST

Required for all EC-sanctioned competitions. A publication which serves as an invitation to compete and provides all information required by the officials and the competitors in the competition. See Chapter A6, Prize Lists and Entry Forms.

PROTECTIVE HEADGEAR

1. Protective headgear must be:
 - a) approved by an accredited certification organization (HEADGEAR STANDARDS).
 - b) properly fitted; and
 - c) securely fastened by a permanently affixed safety harness.
2. Any competitor may wear approved protective headgear in any division or class without penalty from the judge.
3. Equestrian Canada makes no representation or warranty, expressed or implied, about any approved protective headgear. Equestrian Canada cautions riders and Athletes that serious injury or death may result despite wearing such headgear, as all equestrian sports involve inherent risk, and no protective headgear can protect against all foreseeable injury.

PROTECTIVE VEST (BACK PROTECTORS)

1. Protective vest must be:
 - a) properly fitted; and
 - b) securely fastened.
2. Any competitor may wear a protective vest in any division or class without penalty from the judge.
3. Equestrian Canada makes no representation or warranty, expressed or implied, about any protective vest and does not imply protective vests may protect against all foreseeable injury.

PROTEST

A formal process, expressed in writing, to the Competition Organizing Committee (OC) to lodge a dispute, disagreement or grievance regarding the conduct of the EC-sanctioned competition or an alleged rule or policy violation on the part of the OC or official(s) at an EC-sanctioned competition. See Article A1204 – Filing a Protest.

PROVINCE (PARTICIPATING PTSO)

For the purposes of these rules, the term “Province” refers to the Provincial or Territorial Equestrian Sport Organization,

PSG

In dressage; Prix St. Georges

PTSO

Provincial/Territorial Sports Organization (provincial or territorial organization overseeing equestrian activities)

“R”

Recorded (Judge)

RAPPING

The term “rapping” is construed to include all of the artificial techniques intended to induce a horse to jump higher or more carefully in competition. It is not practical to list every possible means of rapping, but in general it consists of the competitor — and/or dismounted assistants, for whose behavior the competitor is responsible — either hitting the horse’s legs manually with something (no matter with what or by whom) or deliberately causing the horse to hit something itself, whether by building fences too large and/or too wide, setting false ground lines, placing trot poles or elements of a combination at a false distance, intentionally pushing the horse into a fence or otherwise making it difficult or impossible for the horse to negotiate the practice obstacle without hitting it.

REGISTERED LEASE

A lease registered with EC or the FEI. See Article A818, Registered Leases.

REGISTERED PARTICIPANT

Any Person registered with Equestrian Canada, including Sport Licence Holders, and paying dues to obtain some benefit from Equestrian Canada. Registered Participant status is included with a PTSO membership.

REMUNERATION

For the purposes of these rules, remuneration is defined as any payment, either in cash or in kind, with the exception of gifts of token value.

1. Remuneration does NOT include:
 - a) payment made to any competition official
 - b) reimbursement for expenses without profit
 - c) winnings paid to a horse’s owner

RULE BOOK/RULES

“Rule Book” refers to the Rules of Equestrian Canada and all its parts. “Rules” refer to the rules and regulations of EC contained in the Rule Book.

“S”

Senior (Judge or Steward)

SENIOR

Individuals are adults or seniors from the beginning of the calendar year in which they reach the age of nineteen. For FEI rules visit www.fei.org

SHOWN AND JUDGED

To be “shown and judged” in a class, an animal must perform the prescribed routine and must remain in the ring until excused by the judge.

SOUNDNESS

Must be serviceably sound. See also Unsoundness.

SPORT LICENCE

EC Sport Licences are required by competitors, owners or lessees, and individuals/corporations accepting responsibility for entries in EC-sanctioned competitions.

START OF A COMPETITION

The official start of a competition relates to the same day that officials are required to be on duty. For exceptions, see discipline/breed sport rules.

SUSPENSION

Disciplinary action resulting in the suspension of a horse and/or owner, lessee, rider, driver, handler or any other responsible party from further participation in EC-sanctioned competition until the term of the suspension has expired.

TRAINER

An adult who has the responsibility for the care, training, custody and performance of the horse.

TROPHY

1. Challenge Trophy - A challenge trophy has to be won a specified number of times for outright possession.
2. Perpetual Trophy - A perpetual trophy remains in the possession of the winner for a period of 11 months, at the end of which time it is to be returned to the competition organizing committee. A replica may be given instead of a perpetual trophy.

TURNOUT

In driving; The assemblage including the Athlete (Athlete), required groom(s), horse(s) with harness and carriage appropriate to the competition. Description includes configuration – single, pair, tandem, unicorn or four-in-hand. Examples: Horse single; pony pair; VSE unicorn; Small pony tandem

UNSOUNDNESS

Unsoundness is:

- a) consistently observable at any gait under all circumstances;
- b) marked nodding, hitching or shortened stride; or
- c) minimal weight-bearing in motion and/or rest and inability to move.
- d) Any manifestation of pain, inability, disability or deformity in the act of motion is considered an unsoundness.

UNITED STATES EQUESTRIAN FEDERATION (USEF)

The equestrian sport governing body of the United States.

USDF

United States Dressage Federation

USEF

United States Equestrian Federation

VALID SPORT LICENCE

A Sport Licence is considered valid when it is current and the holder is in good standing.

VETERINARIAN

Veterinarian: the veterinarian must be licensed to practice in the province/territory in which the competition is being held or in the home province/territory of the horse that is in competition and owner of or employed by a practice that is approved by its province/territory to participate in equine practice.

VIOLATION

For the purpose of these rules, a violation is deemed to be any act prejudicial to the interests of EC. See Article A1207 – Violations.

WINNINGS

All ribbons, prizes, prize money, trophies and points won by a horse.

YELLOW WARNING CARD

An alternative to other options in the EC legal system, (eg. fines or disqualification) and is for cases of violations deemed to be minor in nature.

YR

Young Rider

YOUNG RIDER/DRIVER

Young riders/drivers are such from the beginning of the calendar year in which they reach the age of sixteen until the end of the calendar year in which they reach the age of 21.

METRIC CONVERSION

| <u>WHEN YOU KNOW</u> | <u>MULTIPLY BY.....</u> | <u>TO FIND</u> |
|----------------------------|-------------------------|----------------|
| Hands | 4 | inches |
| Inches | 2.54 | Centimeters |
| Centimeters | 0.3937 | Inches |
| Yards | 0.9 | Meters |
| Meters..... | 3.281 | Feet |
| Feet..... | 0.3048 | Meters |
| Miles..... | 1.609 | Kilometers |
| Kilometers | 0.6214 | Miles |
| Pounds..... | 0.4536 | Kilograms |
| Kilograms..... | 2.205 | Pounds |

INDEX

| | |
|---|----|
| ABUSE OF HORSE | |
| ARTICLE D112 | 11 |
| ACCESS TO COURSES AND ARENAS | |
| ARTICLE D108 | 8 |
| ADDITIONAL JUDGES | |
| ARTICLE D503 | 57 |
| APPRENTICE/ASSISTANT TECHNICAL DELEGATE | |
| ARTICLE D505 | 59 |
| Body Protector/Inflatable Vest | |
| ARTICLE D114.2 | 14 |
| Categories, Classifications and Levels of Horse Trials | |
| ARTICLE D301.2 | 25 |
| CE100 DIVISION | |
| ANNEX 1 (3) | 64 |
| CE105 DIVISION | |
| ANNEX 1 (4) | 65 |
| CE110 DIVISION | |
| ANNEX 1 (5) | 65 |
| CE115 DIVISION | |
| ANNEX 1 (6) | 66 |
| CE120 DIVISION | |
| ANNEX 1 (7) | 67 |
| CE85 DIVISION | |
| ANNEX 1(1) | 62 |
| CE90 DIVISION | |
| ANNEX 1 (2) | 63 |
| CLASSIFICATION | |
| ARTICLE D302 | 26 |
| COMPETITIONS | |
| ARTICLE D103 | 2 |
| COMPETITOR WELFARE | |
| ARTICLE D111 | 9 |
| COURSE DESIGNER | |
| ARTICLE D506 | 59 |
| CROSS COUNTRY - MEASUREMENT OF DROP FENCES | |
| ANNEX 4 | 77 |
| CROSS COUNTRY & JUMPING TEST SPECIFICATIONS | |
| ANNEX 7 | 85 |
| Cross Country Monitoring system | |
| ARTICLE D113.4 | 13 |
| CROSS-COUNTRY COURSES | |
| ARTICLE D309 | 35 |
| CROSS-COUNTRY DEFINITIONS OF FAULTS | |
| ARTICLE D312 | 41 |
| CROSS-COUNTRY OBSTACLES | |
| ARTICLE D310 | 37 |
| CROSS-COUNTRY SCORING | |
| ARTICLE D311 | 39 |

| | |
|---|-----------|
| CROSS-COUNTRY TEST | |
| ARTICLE D307..... | 31 |
| CROSS-COUNTRY TEST, RULES GOVERNING | |
| ARTICLE D308..... | 31 |
| DANGEROUS RIDING | |
| ARTICLE D113..... | 13 |
| DEFINITION OF FAULTS | |
| ARTICLE D320..... | 49 |
| DRESS | |
| ARTICLE D114..... | 14 |
| Dress – Dressage test | |
| ARTICLE 114.5.1..... | 15 |
| Dress – Cross Country test | |
| ARTICLE 114.5.2..... | 16 |
| Dress - Jumping Test | |
| ARTICLE D114.5.3..... | 16 |
| DRESSAGE ARENA | |
| ARTICLE D305..... | 30 |
| DRESSAGE SCORING | |
| ARTICLE D306..... | 30 |
| DRESSAGE SCORING – CALCULATION TO PENALTY POINTS | |
| ANNEX 3 | 76 |
| DRESSAGE TEST | |
| ARTICLE D303..... | 28 |
| DRESSAGE TEST, RULES GOVERNING | |
| ARTICLE D304..... | 28 |
| Eliminated Competitors – Conditions for continuing Hors Concours | |
| ARTICLE D302.5..... | 27 |
| ELIMINATION AND DISQUALIFICATION | |
| ARTICLE D116..... | 19 |
| Elimination of Competitor before Cross Country | |
| ARTICLE D111.5..... | 10 |
| ENTRIES | |
| ARTICLE D105..... | 5 |
| EVENTING – DRESSAGE ARENAS | |
| ANNEX 2.1 | 69 |
| EVENTING TESTS | |
| CHAPTER 2 | 22 |
| EXERCISING AND WARMING UP | |
| ARTICLE D107..... | 6 |
| Extreme Weather | |
| ARTICLE D114.7..... | 17 |
| GENERAL RULES FOR EVENTING COMPETITIONS, CHAPTER 1..... | 1 |
| GLOSSARY..... | 90 |
| GROUND JURY | |
| ARTICLE D501..... | 54 |
| HORSE TRIALS | |
| CHAPTER 3 | 25 |
| HORSE WELFARE | |
| ARTICLE D110..... | 9 |
| INFORMATION FOR EVENTING OFFICIALS | |

| | |
|---|------------|
| ANNEX 9..... | 89 |
| INQUIRIES, PROTESTS AND APPEALS | |
| ARTICLE D117..... | 20 |
| Inspection of Saddlery, Whip, Spurs, Equipment and Dress | |
| ARTICLE D114.6..... | 16 |
| INTERRUPTIONS AND MODIFICATIONS | |
| ARTICLE D109..... | 8 |
| JUDGING OF THE DRESSAGE AND JUMPING TESTS | |
| ARTICLE D502..... | 57 |
| JUMPING COURSE | |
| ARTICLE D315..... | 44 |
| JUMPING OBSTACLES | |
| ARTICLE D316..... | 45 |
| JUMPING SCORING | |
| ARTICLE D317..... | 47 |
| JUMPING TEST | |
| ARTICLE D313..... | 43 |
| JUMPING TEST, RULES GOVERNING | |
| ARTICLE D314..... | 43 |
| LEVELS OF THREE-DAY EVENTS | |
| ARTICLE D402..... | 52 |
| MEMBERSHIP and PASSPORTS | |
| ARTICLE D102..... | 1 |
| Metric conversion chart..... | 107 |
| OFFICIALS | |
| CHAPTER 5..... | 54 |
| OFFICIALS, ADDITIONAL | |
| ARTICLE D508..... | 60 |
| ORGANIZERS RIGHTS | |
| ARTICLE D118..... | 20 |
| PARTICIPATION | |
| ARTICLE D104..... | 4 |
| PERMITTED BITS FOR THE DRESSAGE TEST | |
| ANNEX 2.A..... | 70 |
| PERMITTED NOSEBANDS FOR THE DRESSAGE TEST | |
| ANNEX 2.B..... | 75 |
| RADIOS /RECEIVING APPARATUS AND CELL PHONES | |
| ARTICLE D119..... | 21 |
| Risk Management And Medical Personnel | |
| ARTICLE D111.5..... | 10 |
| RULES FOR TESTS | |
| ARTICLE D202..... | 22 |
| SADDLERY | |
| ARTICLE D115..... | 17 |
| SPECIFICATIONS FOR LEVELS OF HORSE TRIALS | |
| ANNEX 1..... | 62 |
| STARTING ORDER AND TIMETABLE | |
| ARTICLE D106..... | 6 |
| TABLE OF SPEEDS, TIMES, DISTANCES AND JUMPING EFFORTS | |
| CROSS COUNTRY TEST | |
| ANNEX 6..... | 83 |

| | |
|---|----|
| TECHNICAL DELEGATE | |
| ARTICLE D504..... | 57 |
| TEST DESCRIPTION / GUIDELINES | |
| ARTICLE D 203..... | 23 |
| THREE DAY EVENTS | |
| CHAPTER 4..... | 52 |
| THREE-DAY EVENT RULES | |
| ARTICLE D403..... | 52 |
| TIME | |
| ARTICLE D318..... | 48 |
| TIME CORRECTIONS | |
| ARTICLE D319..... | 49 |
| Unconsciousness and /or suspected concussion | |
| ARTICLE D111.3..... | 10 |
| Use of the Whip | |
| ARTICLE D112.3..... | 11 |
| VETERINARIAN | |
| ARTICLE D507..... | 60 |
| WARNING RED CARD SYSTEM | |
| ANNEX 8..... | 87 |
| Warning Red Card, ABUSE OF HORSE | |
| ARTICLE D112.5..... | 12 |
| Warning Red Card, DANGEROUS RIDING | |
| ARTICLE D113.6..... | 14 |
| Warnings and Penalties, ABUSE OF HORSE | |
| ARTICLE D112.4..... | 12 |
| Warnings and Penalties, DANGEROUS RIDING | |
| ARTICLE 113.5..... | 14 |



**EQUESTRIAN
CANADA
ÉQUESTRE**

EQUESTRIAN.CA