



**2023 USDF INTRODUCTORY
LEVEL – TEST A
WALK–TROT**

December 1, 2022 -
November 30, 2026

PURPOSE	To introduce the rider and/or horse to the sport of dressage, confirming that they are beginning to develop an understanding of correct dressage basics. The horse should be ridden freely forward in a steady tempo and clear rhythm, accepting contact with the bit. An understanding of test accuracy and geometry should be demonstrated.	REQUIREMENTS	Free walk Medium walk Working trot rising 20 meter circle Halt through walk
SUGGESTED SCHEDULING TIME	5:00 Standard Arena 4:00 Small Arena (Possibly longer for schooling shows)	MAXIMUM POINTS	160

This unique series of tests provides an opportunity for the horse and/or rider new to dressage to demonstrate elementary skills. The tests have been designed to encourage correct performance and to prepare the horse for the transition to the USEF tests.

TEST			DIRECTIVES
1.	A	Enter, working trot rising	Regularity, quality of trot; straightness, willing, calm transition
	Between X & C	Medium walk	Regularity, quality, of walk
2.	C	Track right	Bend and balance; willing, calm transition
	M	Working trot rising	
3.	A	Circle right 20 meters, working trot rising	Regularity; shape and size of circle; bend; balance
4.	K-X-M	Change rein, working trot rising	Regularity of trot; straightness; bend and balance in corner
5.	C	Circle left 20 meters, working trot rising	Regularity; shape and size of circle; bend; balance
6.	Between C & H	Medium walk	Willing, calm transition; regularity, quality
7.	H-X-F	Free walk	Regularity, reach and ground cover with over track of free walk allowing complete freedom to stretch the neck forward and downward
8.	F-A	Medium walk	Regularity, quality, willing, calm transition, bend and balance in turn
	A	Down centerline	Straightness on centerline
9.	X	Halt and salute	Straightness; attentiveness; immobility (min. 3 seconds)

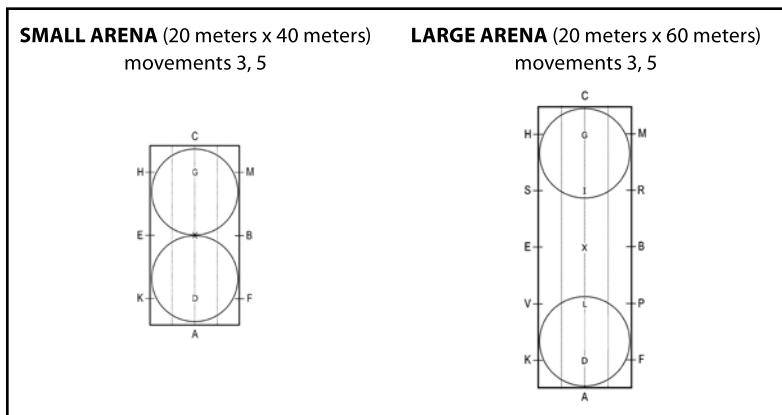
Leave arena in free walk. Exit at A.

INSTRUCTION:

- All trot work to be ridden rising. Transitions from walk to trot and trot to walk may be performed through sitting trot with the objective of performing a smooth transition.
- Turns from center line to long side and long side to center line should be ridden as a half circle, touching the track at a point midway between the center line and the corner, and vice versa.

COMMENT:

Horses should be ridden on a light but steady contact, with the exception of the free walk in which the horse is allowed complete freedom to stretch neck forward and downward.



©2022 United States Dressage Federation (USDF) and United States Equestrian Federation (USEF)

All rights reserved.

Reproduction without permission is prohibited by law.

Neither USDF nor USEF is responsible for any errors or omissions in the publication or for the use of its copyrighted material in an unauthorized manner.

